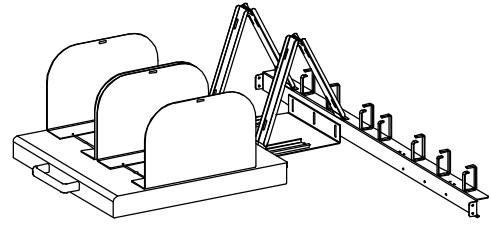


ADVANTAGE - 2000 +

Installation Instructions :



Floor Mount Sliding Double Wide Tower Shelves:

#2226-TC*; #2226-TC1

#2250-TC1; #2250-TC2

#2272-TC1; #2272-TC2; #2272-TC3

#2250-TC1 (shown)

GENERAL PARTS LIST: #22XX-TCX

<u>Item No.</u>	<u>Component Description</u>	<u>Qty.</u>
1*	#22XX-TC-6101 : XX" wide Backstop	1
2	#2200-6107 : Shelf Base Assembly	X
	#2200-6105 : Cable Bridge Assembly	2 / shelf base (included)
	#2200-6106 : Server Support Fins	4 / shelf base (included)
	#CM-36 : Velcro Strap	2 / shelf base (included)

Shelf Part Number : #2226-TC*

1	#2200-6107 : Shelf Base Assembly	1
---	----------------------------------	---

* Backstop not included

Shelf Part Number : #2226-TC1

1	#2226-TC-6101 : 26" wide Backstop	1
2	#2200-6107 : Shelf Base Assembly	1

Shelf Part Number : #2250-TC1

1	#2250-TC-6101 : 50" wide Backstop	1
2	#2200-6107 : Shelf Base Assembly	1

Shelf Part Number : #2250-TC2

1	#2250-TC-6101 : 50" wide Backstop	1
2	#2200-6107 : Shelf Base Assembly	2

Shelf Part Number : #2272-TC1

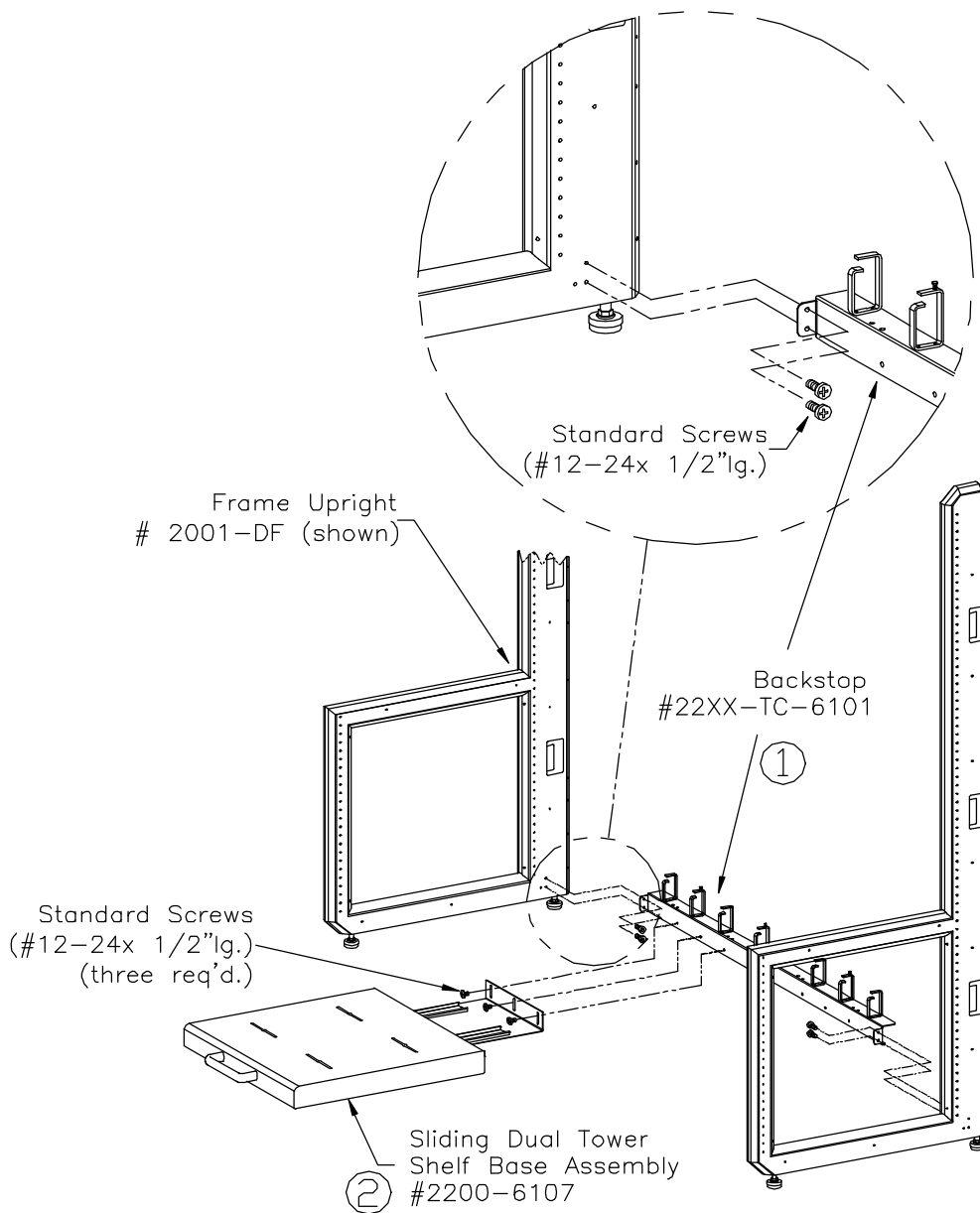
1	#2272-TC-6101 : 72" wide Backstop	1
2	#2200-6107 : Shelf Base Assembly	1

Shelf Part Number : #2272-TC2

1	#2272-TC-6101 : 72" wide Backstop	1
2	#2200-6107 : Shelf Base Assembly	2

Shelf Part Number : #2272-TC3

1	#2272-TC-6101 : 72" wide Backstop	1
2	#2200-6101 : Shelf Base Assembly	3



STEP (1):

Install the backstop to the mounting holes in the frame uprights as shown in the detail. The backstop should be mounted only after the Braces (Instruction # 6STRBRC) have been previously installed. Tighten the four mounting screws. See sketch.

Note: *The 26", 50", & 72" wide backstops only fit into the frame upright span of the same widths.*

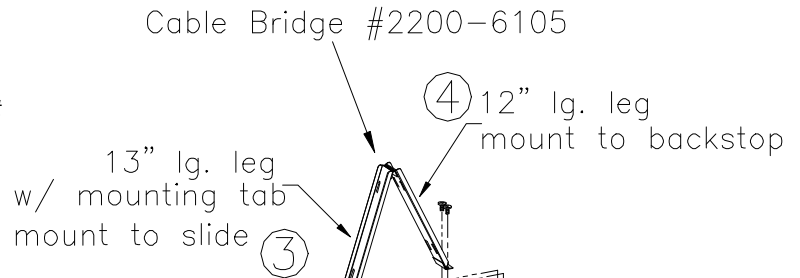
STEP (2):

Mount the Dual Tower Sliding Shelf to the Backstop. See sketch. Extend the slide halfway and align the mounting slots to the threaded holes in the backstop then install three standard screws and tighten.

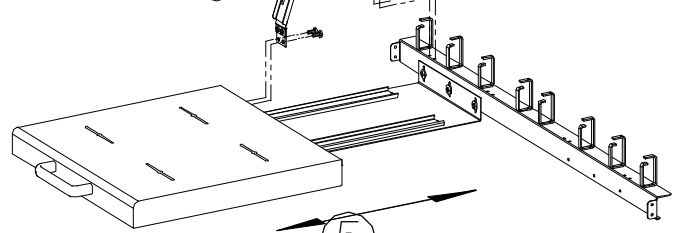
Mounting options:

- #2226-TC : one location
- #2250-TC : two locations
- #2272-TC : three locations

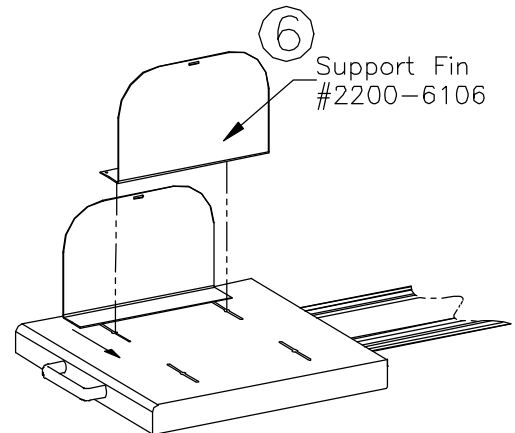
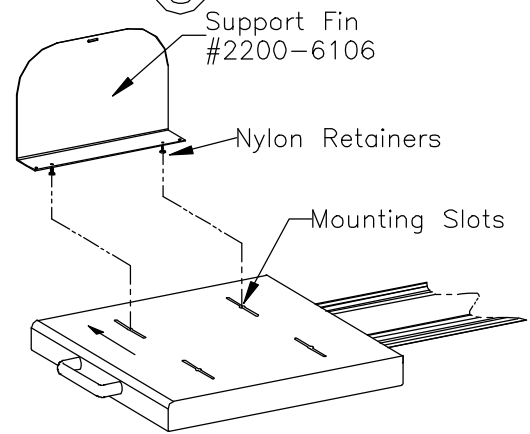
STEP (3): Install the Cable Bridge using two standard screws at each end. Mount the 13" leg with the mounting tab to the threaded holes in the backside of the threaded shelf. See sketch.



STEP (4): Mount the 12" leg to the threaded holes in the top of the backstop with two standard screws. See sketch.



STEP (5)&(6): Installing the Server Support Fins is done by passing the nylon retainers of the Fins through the center of the mounting slots and sliding to the left or right.



STEP (7): Place the Velcro Strap over the top of the sever and pass through the slot in each of the Server Support Fins. Slide the Server Support Fins tight against the server and then fold the Velcro strap back onto itself to secure. See sketch

