

ADVANTAGE - 2000+

Installation Instructions: 48" x 48" Footprint Corner

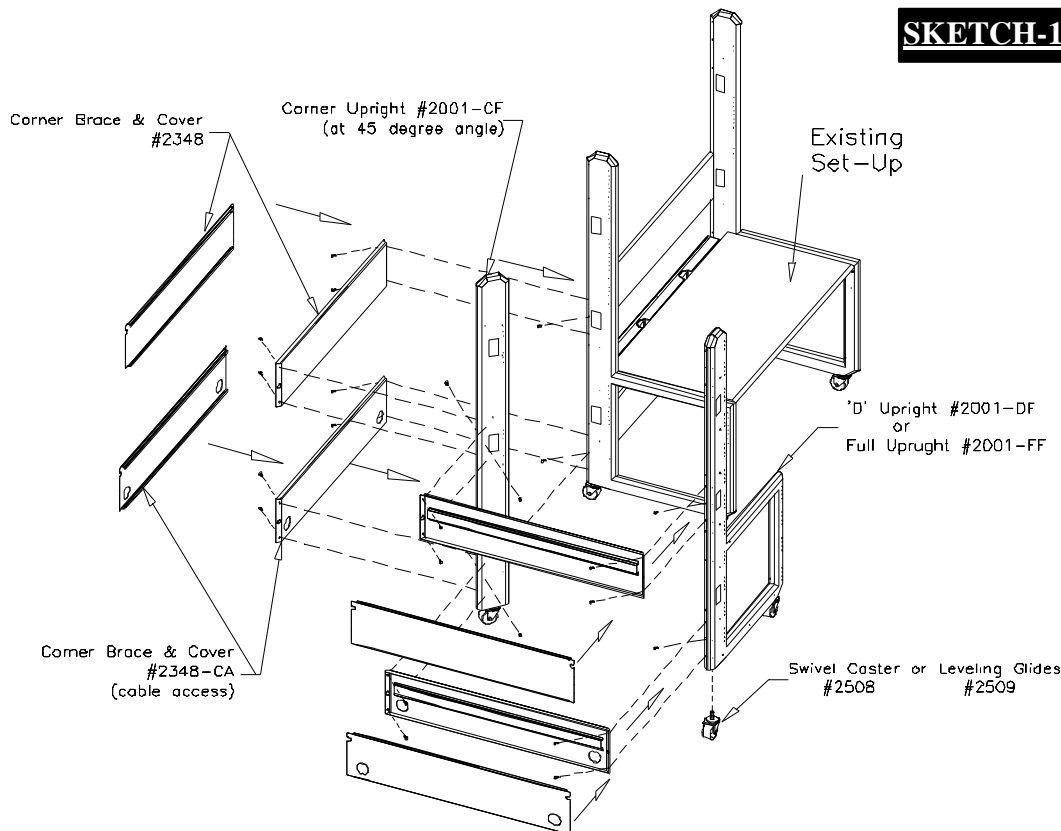
- # 2248 : Solid Corner Shelf – Painted – 5 Point Mounting
- # 2001-CF : Corner Frame Upright – std. w/ Leveling Glides
- # 2448-HCM : Horizontal Cable Management Tray – 48"x48" Corner
- # 2348-CA : Corner Brace & Cover – w/ Cable Access – 48"x48" Corner
- # 2348 : Corner Brace & Cover – 48"x48" Corner
- # 2248-CNT : Cantilevered Shelf – Laminated – 48"x48" Corner

Installing Braces to Frame Uprights :

STEP (1): Install either Swivel Casters (#2508) or Leveling Glides (#2509) into the bottom of each frame upright. Thread the casters until it is completely seated or the leveling glides into the upright to 1-1/2" to 1-3/4" from the bottom of the glide to the bottom of the upright.

STEP(2): Place screws into the 2nd, 8th, & or 13th holes up from the bottom of the uprights on rear angled portion. Leave approx. 3/16" of threads exposed. The Corner Frame Upright mounts to the braces at a 45 degree angle at 48" apart from each other frame (measured from outside edge to outside edge).

STEP(3): Place the brace (#2348) onto the screws using the middle keyed holes at each end of the brace (make sure that the brace is seated into the keyed holes). Secure the brace by placing 2 screws into the 2 remaining holes at each end of the brace. Tighten all six screws per brace, then place the cover onto the brace by aligning the two tabs of the brace with the two slots of the cover and then closing the cover until the slam latch engages.

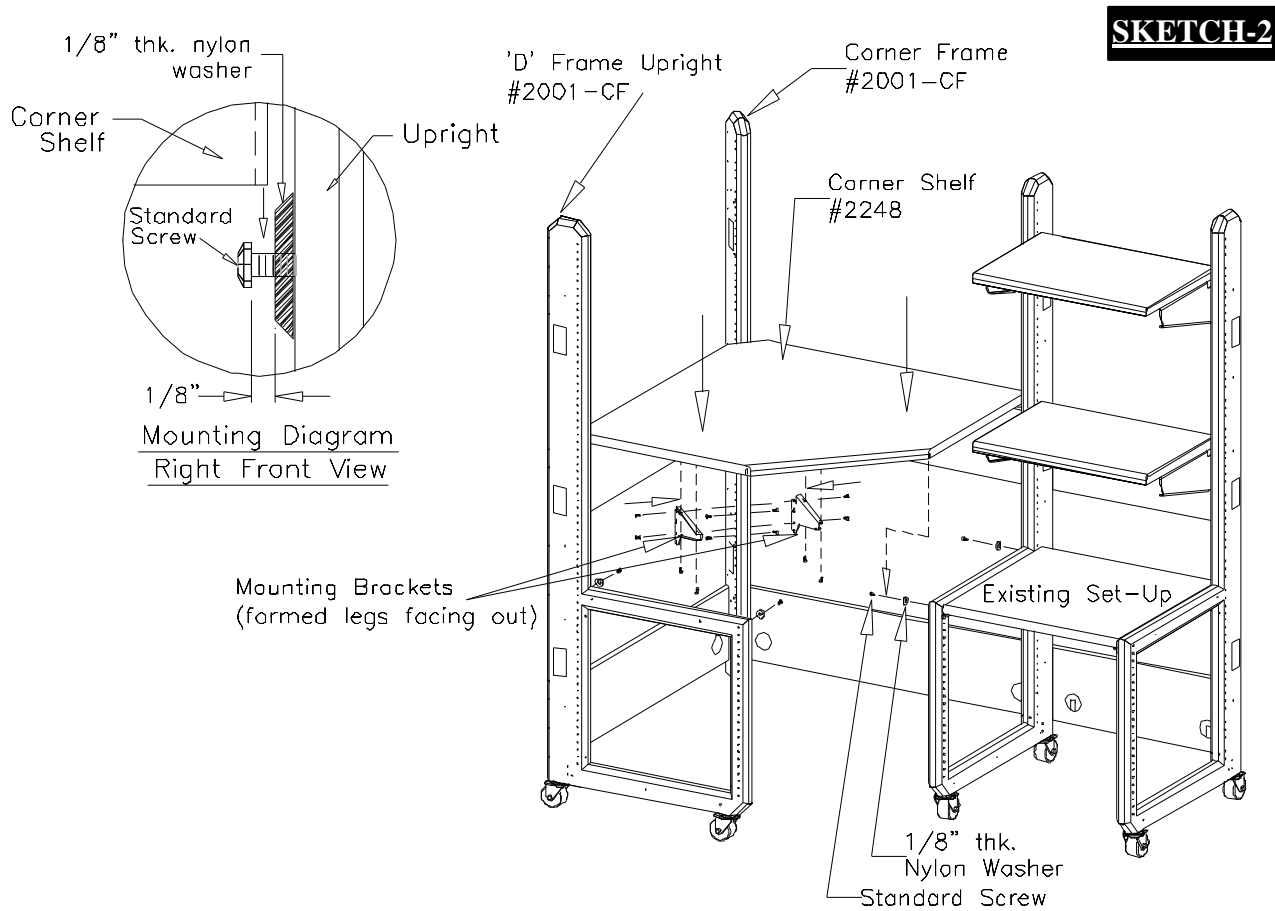


Mounting the Worksurfaces to the Frame Uprights: #2248 Solid Corner Shelf.

STEP(1-A): With the Frame Uprights and Braces having been previously assembled with the corresponding Worksurface width choose the desired height for your Worksurface by placing four (4) Standard Screws, with the 1/8' thk. nylon spacer as shown, into the threaded holes in the Frame Uprights as shown. Leave approx. 1/8" of threads exposed. See Mounting Diagram in Sketch-2.

STEP(1-B): Install the Rear Mounting Brackets (#2200-6111 & #2200-6112) to the Corner Frame Upright. Start 2 standard screws into the 18th and 21st holes counting up from the bottom. Use both sides of the Corner Frame Upright. Hang the brackets onto the screws with the formed leg facing out, using the slot provided in the bracket. Install 2 more screws into the 2 remaining positions in the bracket.

STEP(2): Position the Solid Shelf over the 4 screws with the spacers and the 2 brackets. Lower the shelf onto the screws with the side edge of the shelf fits between the nylon spacer and the head of the screw. Install 4 screws through the top edge of the mounting brackets and into the threaded holes in the bottom of the shelf.



TIGHTEN ALL SCREWS BEFORE LOADING WITH EQUIPMENT!

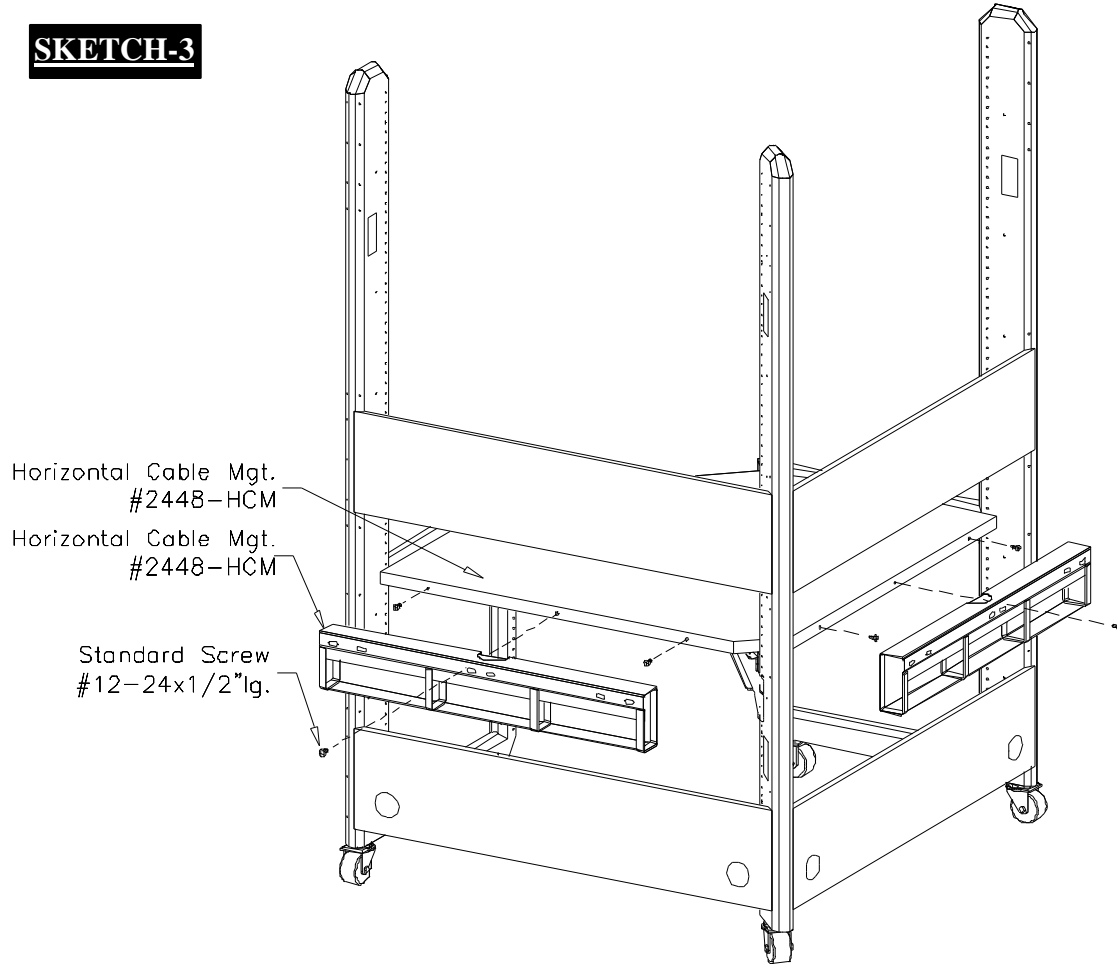
Mounting Horizontal Cable Management Trays – 48 x 48 Corner # 2448-HCM:

STEP(1): On the 2 rear edges of the Solid Corner Shelf there are three threaded holes for mounting the Horizontal Cable Mgt. Tray. Start 2 screws into the 1st & 3rd holes leaving approx. 1/8” of threads exposed of the edge where you wish to mount the Cable Tray.

STEP(2): Place the Horizontal Cable Tray onto the screws using the keyed holes of the cable tray. Be sure that the cable tray is seated onto the screws. Install the center screw and tighten the remaining screws using the screwdriver access hole in the rear of the cable management.

TIGHTEN ALL SCREWS BEFORE LOADING WITH EQUIPMENT.

SKETCH-3



REAR VIEW
Cable Tray Mounting to Corner Metal Shelf

Mounting the Cantilevered Shelf #2248-CNT:

STEP(1): Start 2 screws 3” apart vertically at four locations. On both sides of the Corner Frame and on the inside of each ‘D’ Frame that make up the corner. Install them at the same height. The shelf surface will be 3-3/8” above the top screw when mounted.

Hang the Cantilevered Brackets (#2200-6115 & #200-6116 – 2-right hand, 2-left hand) onto the four sets of screws with the formed edges facing away from the frame uprights.

Install 2 more screws per bracket into the frame through the remaining screw locations.

DO NOT TIGHTEN THE SCREWS AT THIS TIME.

STEP(2): Position the Cantilevered Shelf onto the four mounting brackets Install 2 screws per bracket through the round holes and into the threaded holes on the underside of the laminated shelf surface.

TIGHTEN ALL SCREWS BEFORE LOADING WITH EQUIPMENT.

SKETCH-4

