

# ADVANTAGE - 2000 +

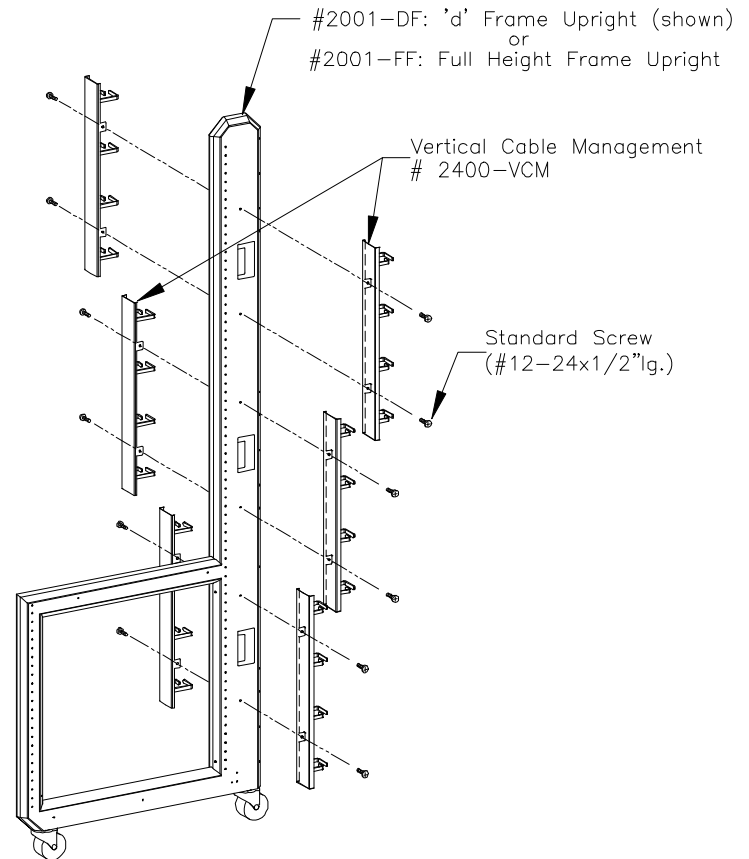
## Installation Instructions :

**#2400-VCM : Vertical Cable Management**

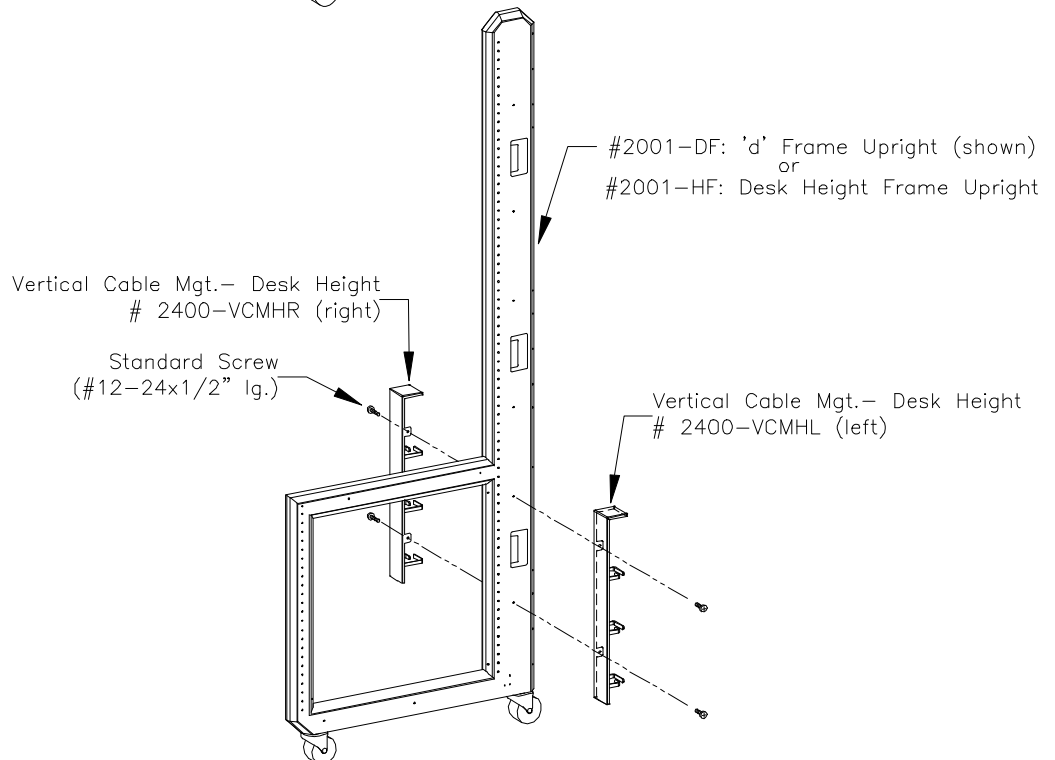
**#2400-VCMHL : Vertical Cable Management - Desk Height - Left**

**#2400-VCMHR : Vertical Cable Management - Desk Height - Right**

**INSTALLATION :** Align the two through holes in the Vertical Cable Mgt. (#2400-VCM) with the threaded Hole in the Frame Upright as shown and install two standard screws per piece. Tighten screws. The Full Height Frame Upright and the "d" Frame Upright will support three Vertical Cable Mgt. (22" vertical length each) per side.



**The Desk Height Cable Mgt. (#2400-VCMHR/L) right and left versions are recommended to be installed in the lowest mounting position to be flush with the shelf or worksurface when they are mounted in the 24<sup>th</sup> hole (desk height).**



**Technical Assistance :**  
(814) 734 - 7303

**Instruction # 3VCM REV. # 0 - 4/13/98**