

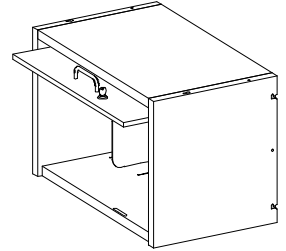
ADVANTAGE - 2000+

Installation Instructions :

- # 2526-SC : 26" wide Overhead Storage Compartment (25 3/4"W x 15 1/4"D x 16"H)
- # 2550-SC : 50" wide Overhead Storage Compartment (49 3/4"W x 15 1/4"D x 16"H)
- # 2572-SC : 72" wide Overhead Storage Compartment (72 3/4"W x 15 1/4"D x 16"H)

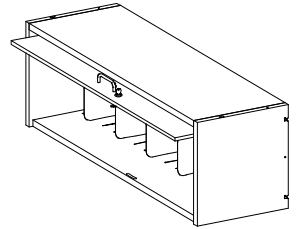
PARTS LIST: # 2526-SC

<u>Item No.</u>	<u>Component Description</u>	<u>Qty.</u>
1	#2500-6111 : Right Side Panel	1
2	#2500-6112 : Left Side Panel	1
3	#2526-SC-6101 : 26" Top Panel w/ slide	1
4	#2526-SC-6102 : 26" Back Panel	1
5	#2526-SC-6103 : 26" Bottom Shelf	1
6	#2526-SC-6104 : 26" Front Door w/handle & lock	1
7	#2526-SC-6105 : 26" Slide Brace	1
8	#2545-6101 : Book Divider	2
9	Standard Screws : # 12-24 x 1/2" lg.	23
10	Nylon Spacer : 1/8" thick	4



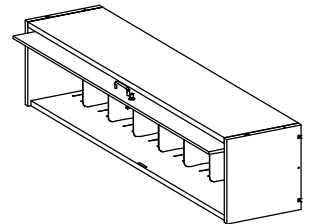
PARTS LIST: # 2550-SC

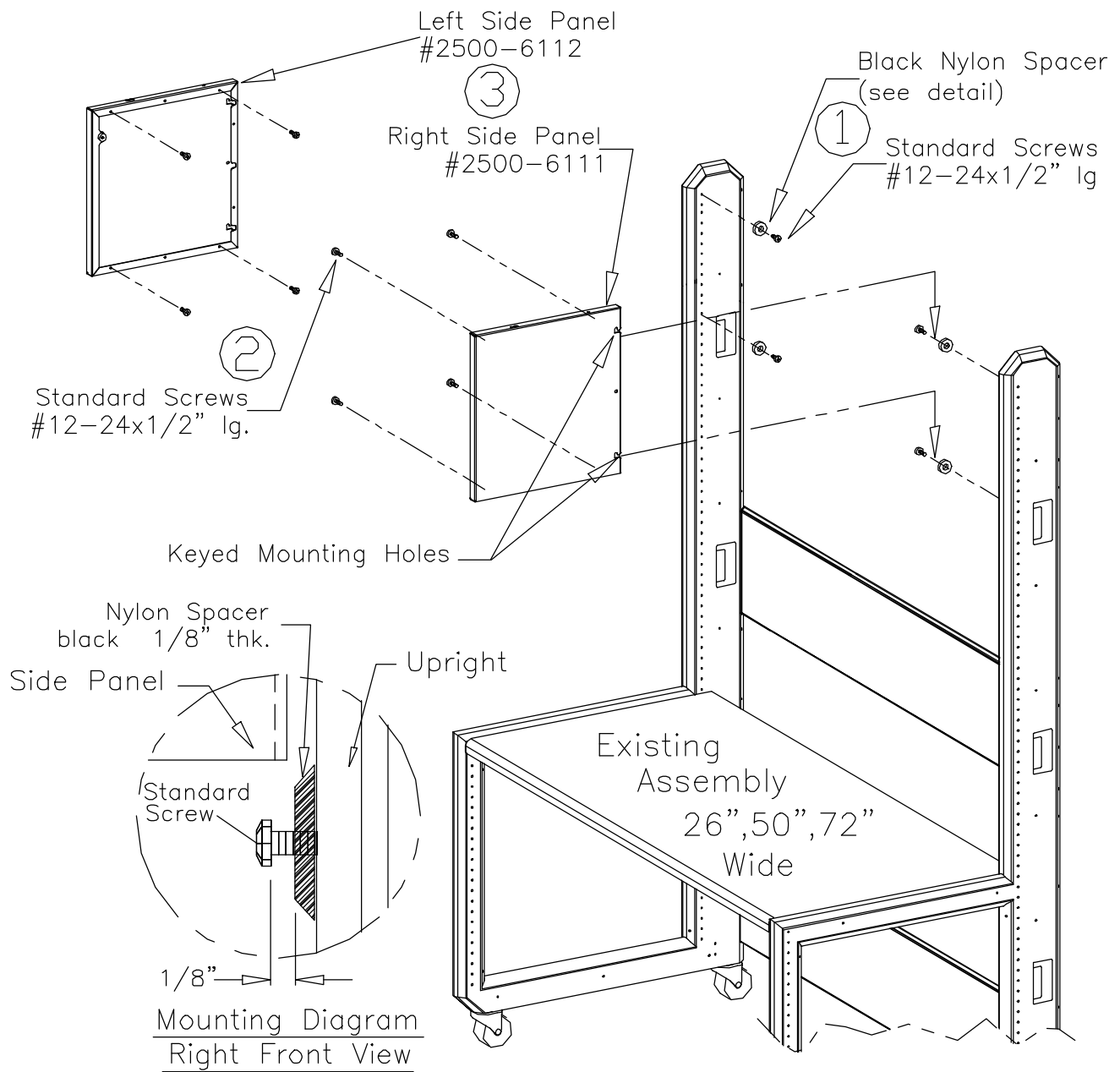
<u>Item No.</u>	<u>Component Description</u>	<u>Qty.</u>
1	#2500-6111 : Right Side Panel	1
2	#2500-6112 : Left Side Panel	1
3	#2550-SC-6101 : 50" Top Panel w/ slide	1
4	#2550-SC-6102 : 50" Back Panel	1
5	#2550-SC-6103 : 50" Bottom Shelf	1
6	#2550-SC-6104 : 50" Front Door w/handle & lock	1
7	#2550-SC-6105 : 50" Slide Brace	1
8	#2545-6101 : Book Divider	4
9	Standard Screws : # 12-24 x 1/2" lg.	23
10	Nylon Spacer : 1/8" thick	4



PARTS LIST: # 2572-SC

<u>Item No.</u>	<u>Component Description</u>	<u>Qty.</u>
1	#2500-6111 : Right Side Panel	1
2	#2500-6112 : Left Side Panel	1
3	#2572-SC-6101 : 72" Top Panel w/ slide	1
4	#2572-SC-6102 : 72" Back Panel	1
5	#2572-SC-6103 : 72" Bottom Shelf	1
6	#2572-SC-6104 : 72" Front Door w/handle & lock	1
7	#2572-SC-6105 : 72" Slide Brace	1
8	#2545-6101 : Book Divider	6
9	Standard Screws : # 12-24 x 1/2" lg.	23
10	Nylon Spacer : 1/8" thick	4





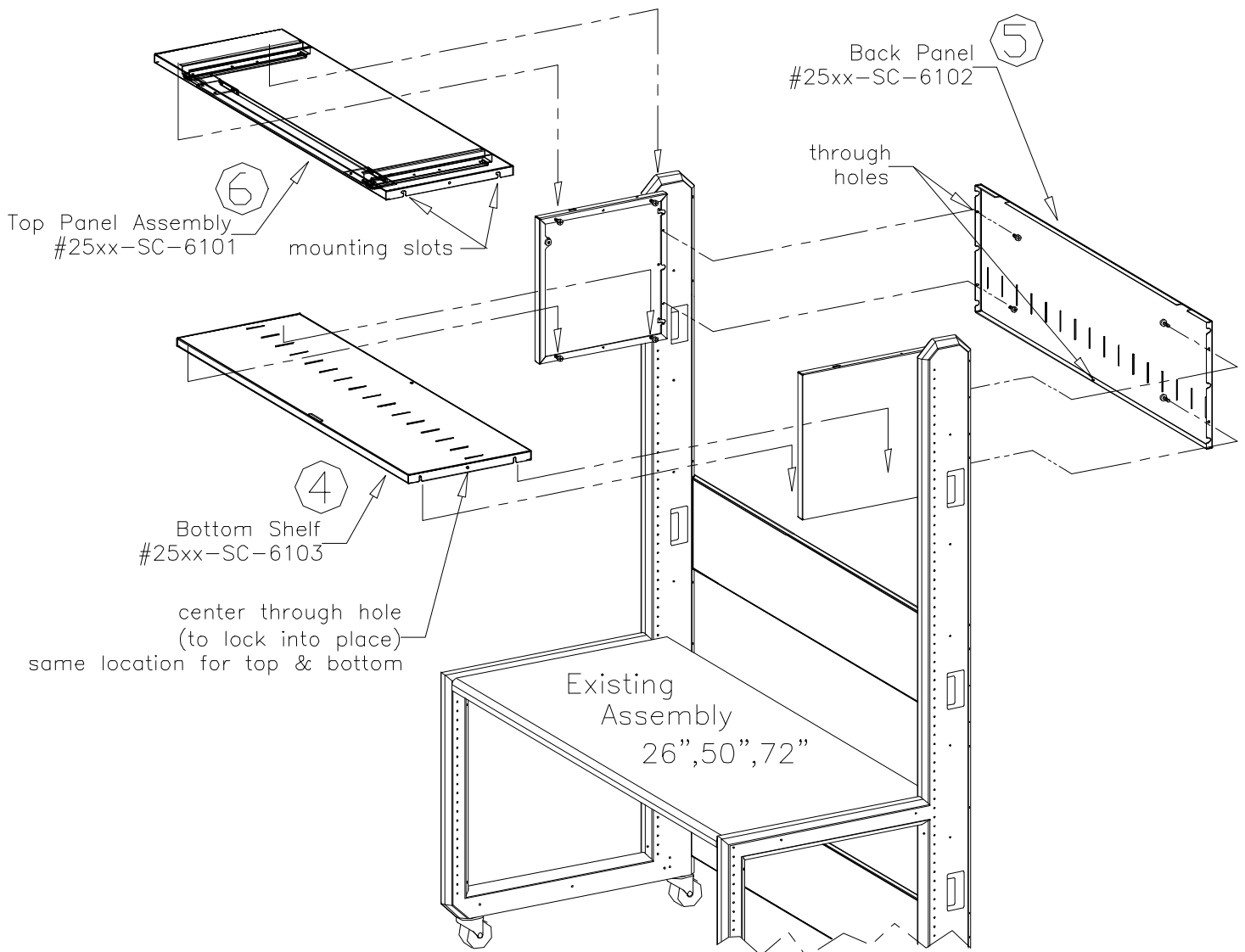
STEP (1): Install the four standard screws with the black nylon spacers (see detail) into the threaded holes of the frame upright that are facing each other. Leave 1/8" of threads exposed. Screws to be 12" apart in height.

STEP (2): Start four standard screws into the threaded holes on the inside edge of the side panels at the locations shown. Leave 1/8" of threads exposed.

STEP (3): Mount the side panels by passing the keyed mounting hole between the head of the screw and the black nylon spacer. Be sure that side panel is firmly seated down onto the screws.

Install one standard screw through the round center hole of the side panel into the threaded hole of the frame upright to lock the side panel into place.

Tighten the three mounting screws for each side panel!



STEP (4): Mount the Bottom Shelf, (#25xx-SC-6103) that corresponds to the width of the existing frame upright assembly, onto the two screws at the bottom of each mounted side panel. Drop the shelf mounting slots over the screw head until firmly seated. Install a standard screw into the side panels through the round center hole at each end of the Bottom Shelf to secure it into place.

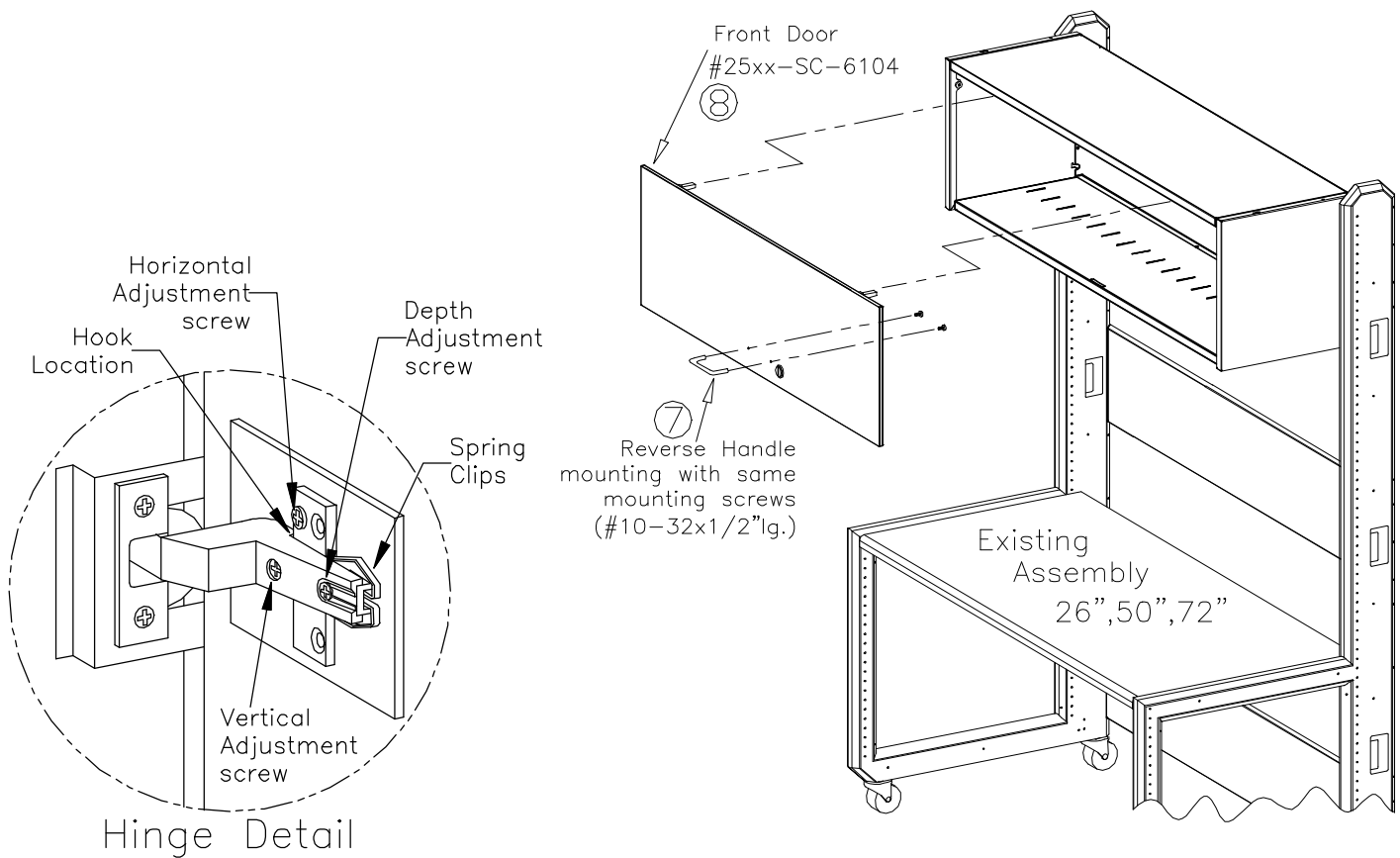
NOTE: The lock pawl slot must be towards the front.

STEP (5): Mount the Back Panel, (#25xx-SC-6102) of the same nominal width, to the rear inside edge of the side panels and the bottom shelf with five standard screws through the round holes in the Back Panel.

There is one round hole in the bottom edge of the Back Panel that must mate with the threaded hole in the Bottom Shelf.

NOTE: The sides of the back panel must be facing towards the front.

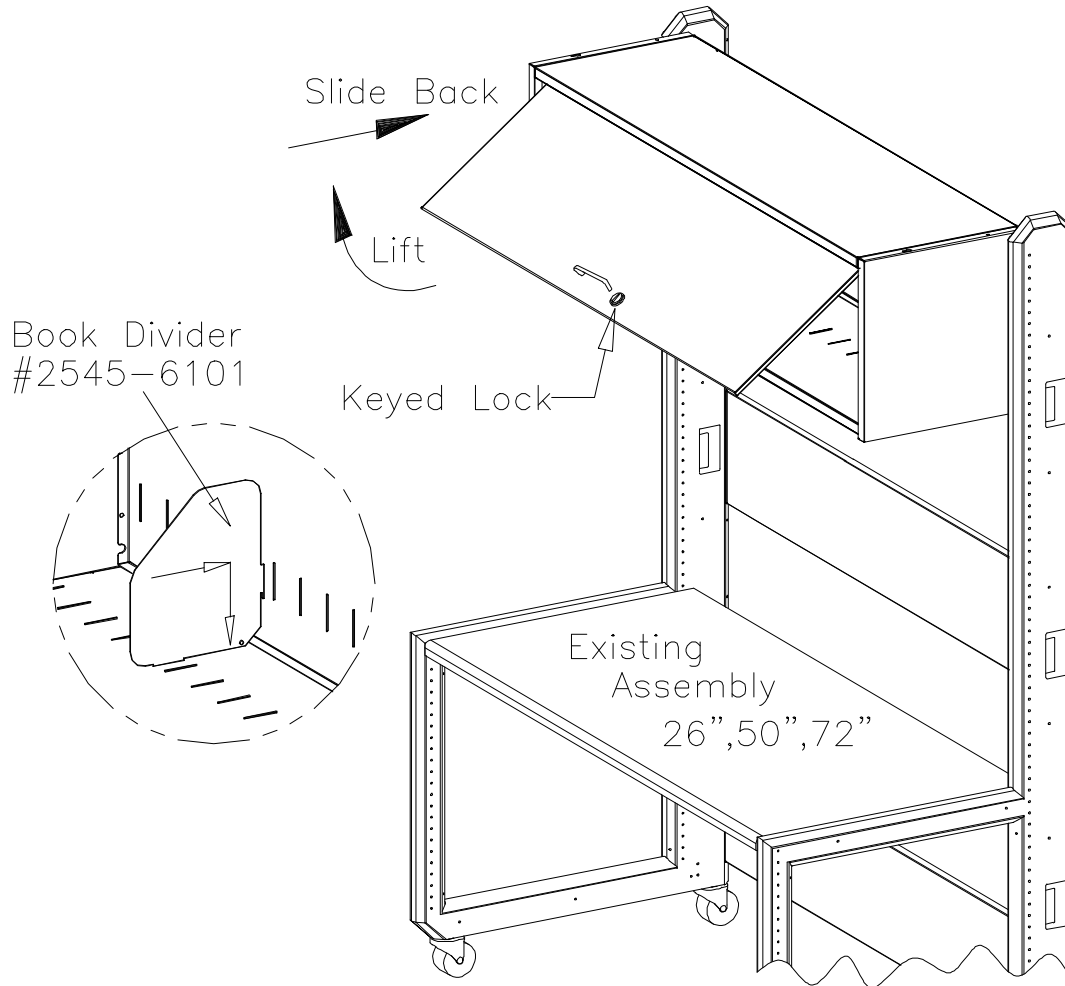
STEP (6): Mount the Top Panel, (#25xx-SC-6101) of the same nominal width, onto the two screws at the top of each mounted side panels and push towards the back until firmly seated. Install a standard screw into the side panels through the round center hole at each end of the Top Panel to secure it into place.



STEP (7): Reverse the mounting of the handle with the same screws. Handle mounting screws are #10-32 x 1/2" lg. Pan Head (2).

STEP (8): Door Attachment and Adjustment:

- *Clip door hinges to hinge base by aligning hooks on the under side of the hinge with the front tongue on the hinge base and then pressing on the rear portion of the hinge until spring clip engages.*
- *Carefully close the door and observe for possible needed adjustment, then open door to adjust hinge as needed.*
- *Turn screws to adjust door in all three directions.*
 1. *Vertical adjustment screw- adjusts door top gap clearance. Do not over adjust - this screw must not be tight.*
 2. *Depth adjustment screw- adjusts door face in and out (flush with top panel edge). Screw must be tight.*
 3. *Horizontal adjustment screw- adjusts door right and left panel gap clearance. Screw must be tight.*
- *Door removal can be accomplished by merely compressing the spring clip found on each hinge.*



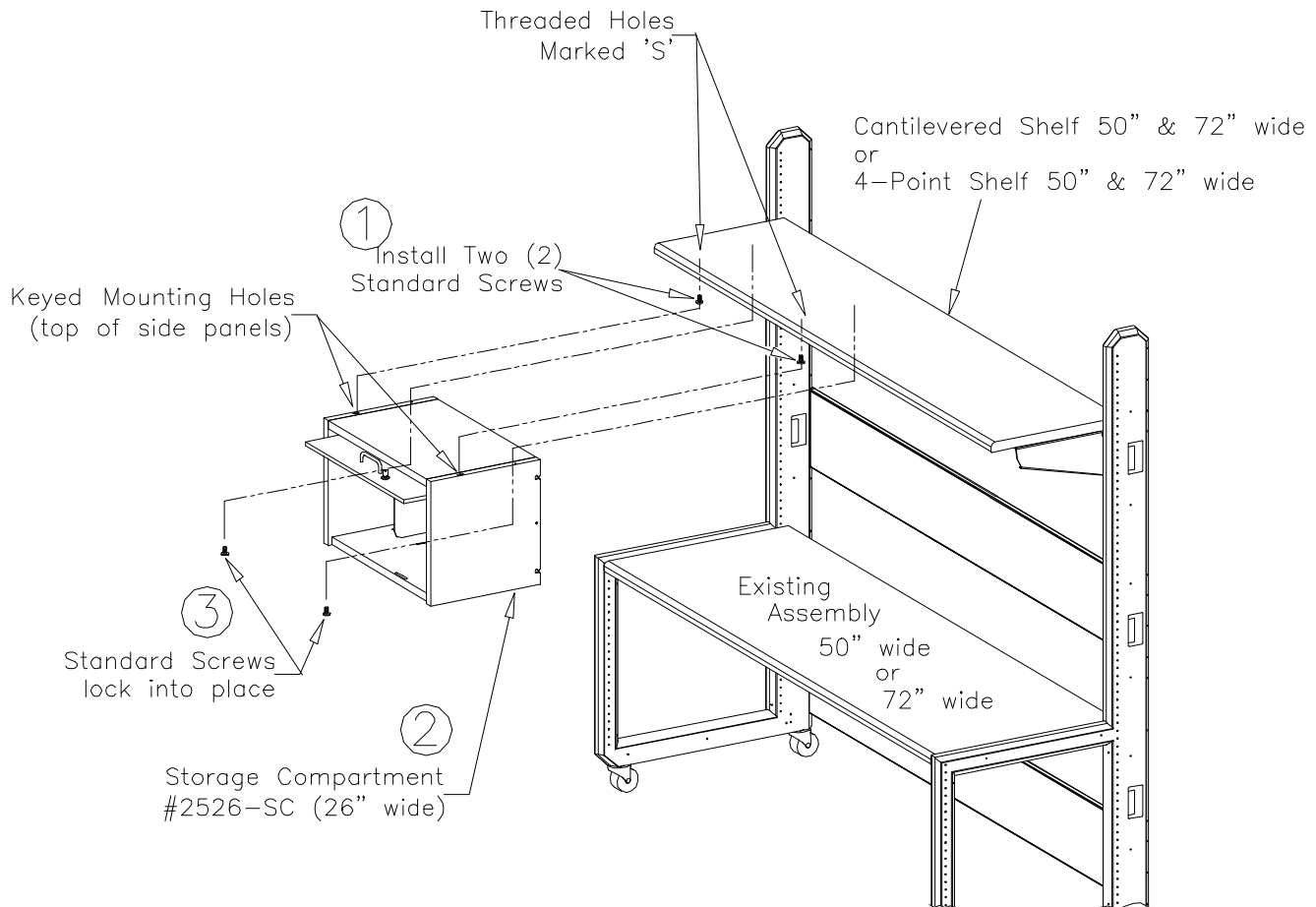
- **Book Divider (#2545-6101) Operation :**

To Install the Book Divider into the Storage Compartment pass the hook on the rear of the Book Divider through the vertical slot in the Back Panel and slide down with the bottom edge of the Book Divider passing through the slot in the Bottom Shelf.

- **Retractable Door Operation :**

With the door unlocked, lift the door until horizontal and push back to open door. To close door pull door towards you until it stops and pivot door down.

#2526-SC : 26" wide STORAGE COMPARTMENT
OPTIONAL MOUNTING LOCATIONS:



- ***The 26" wide Storage Compartment (#2526-SC) may also be installed to hang from the under side of the 50" & 72" wide 4-Point Tilt Shelves (#2250, #2250-SLT, #2272, #2272-SLT) and the 50" & 72" wide Cantilevered Shelves (#2250-CNT, #2250-CNT-SLT, #2272-CNT, #2272-CNT-SLT). ONLY WHEN SHELVES ARE MOUNTED HORIZONTALLY!***

Under Shelf Mounting Procedure:

STEP (1): Install two standard screws into the front two holes marked 'S'. Leaving 1/8" of threads exposed.

STEP (2): Pass the keyed holes in the top of the 26" wide Storage Compartment (#2526-SC) FULLY ASSEMBLED over the heads of the installed screws and push back until firmly seated. The storage compartment will hang from the screws.

STEP (3): Install two screws into the threaded holes of the shelf through the round holes in the rear of each side panel to lock into place.

TIGHTEN ALL SCREWS BEFORE LOADING !