

ADVANTAGE - 2000+

Installation Instructions :

2426-HCM : Horizontal Cable Management for 26" wide shelves

2450-HCM : Horizontal Cable Management for 50" wide shelves

2472-HCM : Horizontal Cable Management for 72" wide shelves

Mounting Locations:

#2426-HCM : #2226-CNT : 26" wide Cantilevered Shelf - Solid Surface

: #2226-CNT-SLT : 26" wide Cantilevered Shelf - Slotted Surface

: and all three versions of 26" wide Tilt Shelves (#2226, #2226-SLT, #2226-LA)

#2450-HCM : #2250-CNT : 50" wide Cantilevered Shelf - Solid Surface

: # 2250-CNT-SLT : 50" wide Cantilevered Shelf - Slotted Surface

: # 2250 -WS : 50" wide Work Surface

: and all three versions of 50" wide Tilt Shelves (#2250, #2250-SLT, #2250-LA)

#2472-HCM : #2272-CNT : 72" wide Cantilevered Shelf - Solid Shelf

: #2272-CNT-SLT : 72" wide Cantilevered Shelf - Slotted Surface

: #2291 : Inside Corner Shelf - Solid Surface

: and all three versions of 72" wide Tilt Shelves (#2272, #2272-SLT, #2272-LA)

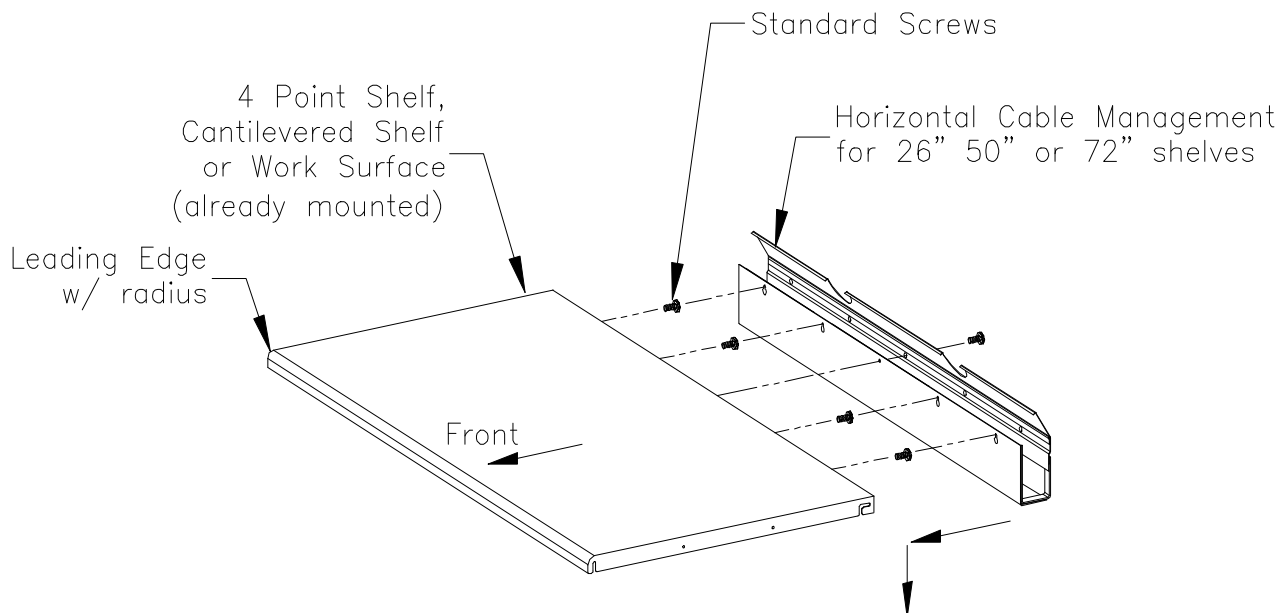
Mounting Horizontal Cable Management to shelves :

The shelf that you wish to have Horizontal Cable Management to should already be mounted.

STEP(1) : On the rear edge of the shelves there are threaded holes for mounting.

The 26" wide shelves have three threaded holes, the 50" wide shelves have five, and the 72" wide shelves have seven holes. Start the standard screws into these holes (with approx. 1/8" of threads exposed), leaving the center hole vacant.

STEP(2) : Place the Horizontal Cable Management onto the screws using the keyed holes of the cable management. Do so by passing the head of the screw through the larger section of the keyed hole. Be sure that the cable management is seated onto the screws. Install the center screw and **tighten the remaining screws using the screwdriver access hole in the rear of the cable management.** **Tighten all screws before loading with equipment!**

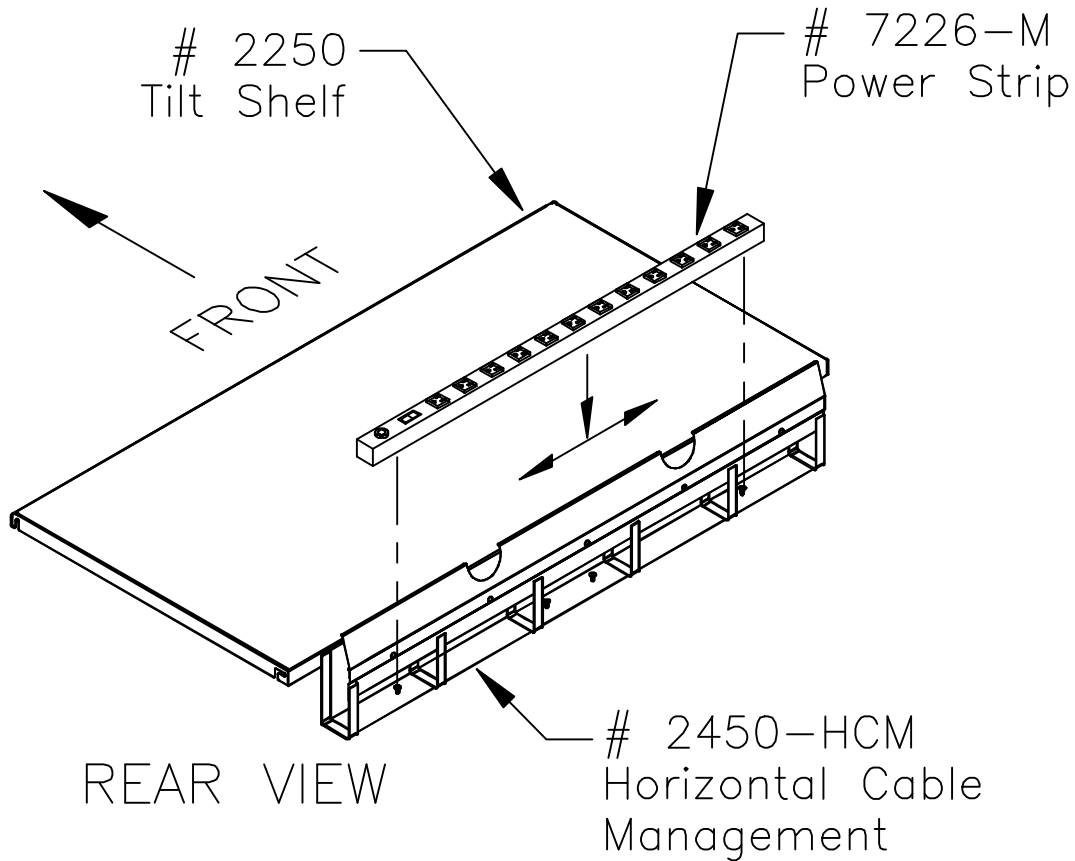


Optional Power Strip Mounting - Horizontal Cable Management :

Once the horizontal cable management (26", 50" or 72" nominal width) is mounted to its respective width shelf you can now mount the power strip. Having the cable management previously installed eases the installation of the power strip.

Pass the welded screw heads in the bottom of the cable management through the mounting slots on the back of the power strip and slide firmly to the left or right until seated.

Reference sketch below and use chart to choose the correct power strip with the version of the horizontal cable management being used.



#7226-M Power Strip Mounting (shown)

<u>Horizontal Cable Management</u>	<u>Power Strip to use.</u>
# 2426-HCM	- #7222-M
# 2450-HCM	- options #7226-M, # 7222-M
# 2472-HCM	- options #7215, #7215-S, #7215-15, #7215-20, #7218