

Installation Instructions :

#2010-HFE : Half Height Exterior Side Panel

#2010-FFE : Full Height Exterior Side Panel

#2010-FFEL : Full Height Exterior Side Panel w/ lock

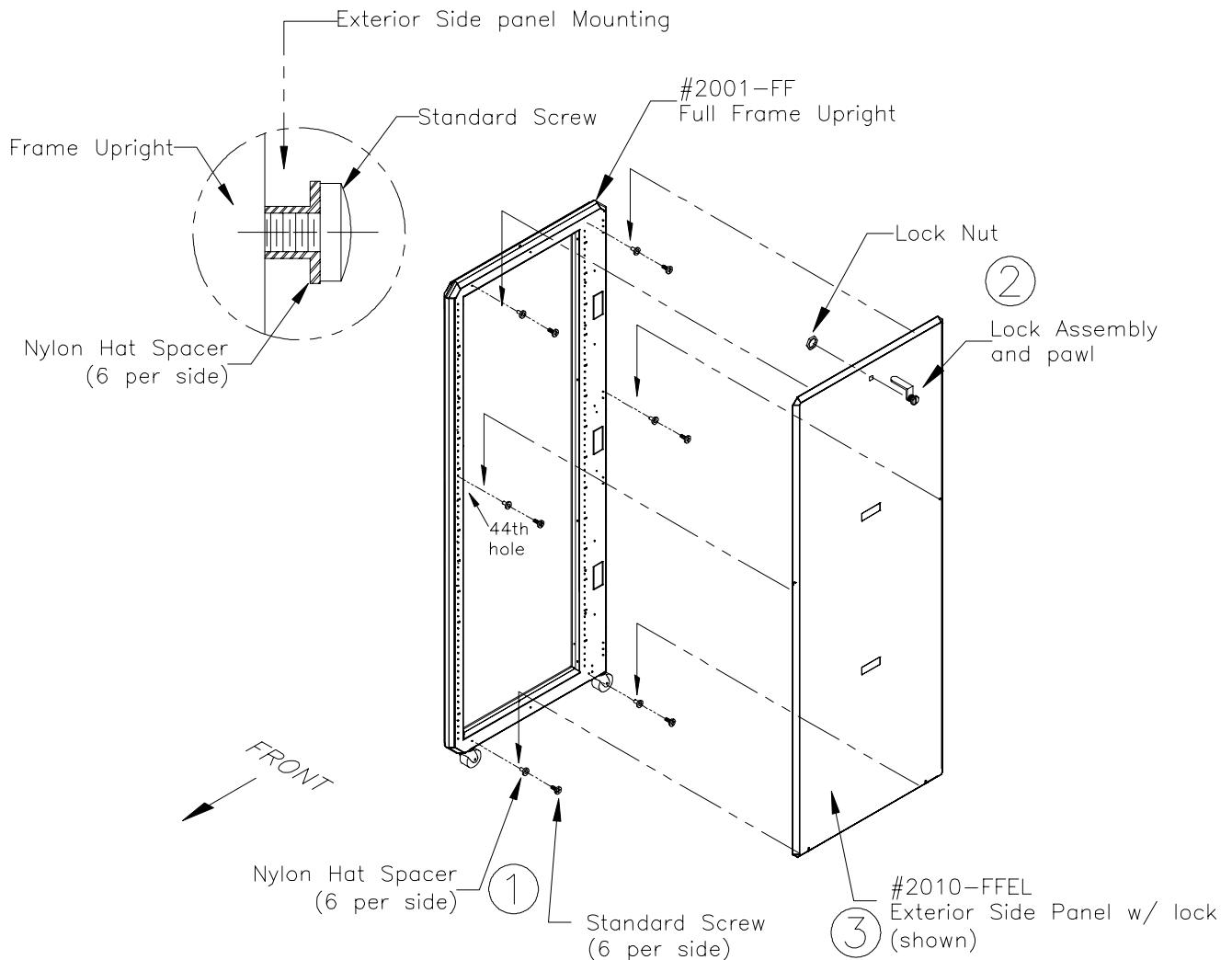
Mounting Exterior Panel to Uprights - Full Height Exterior Panels :

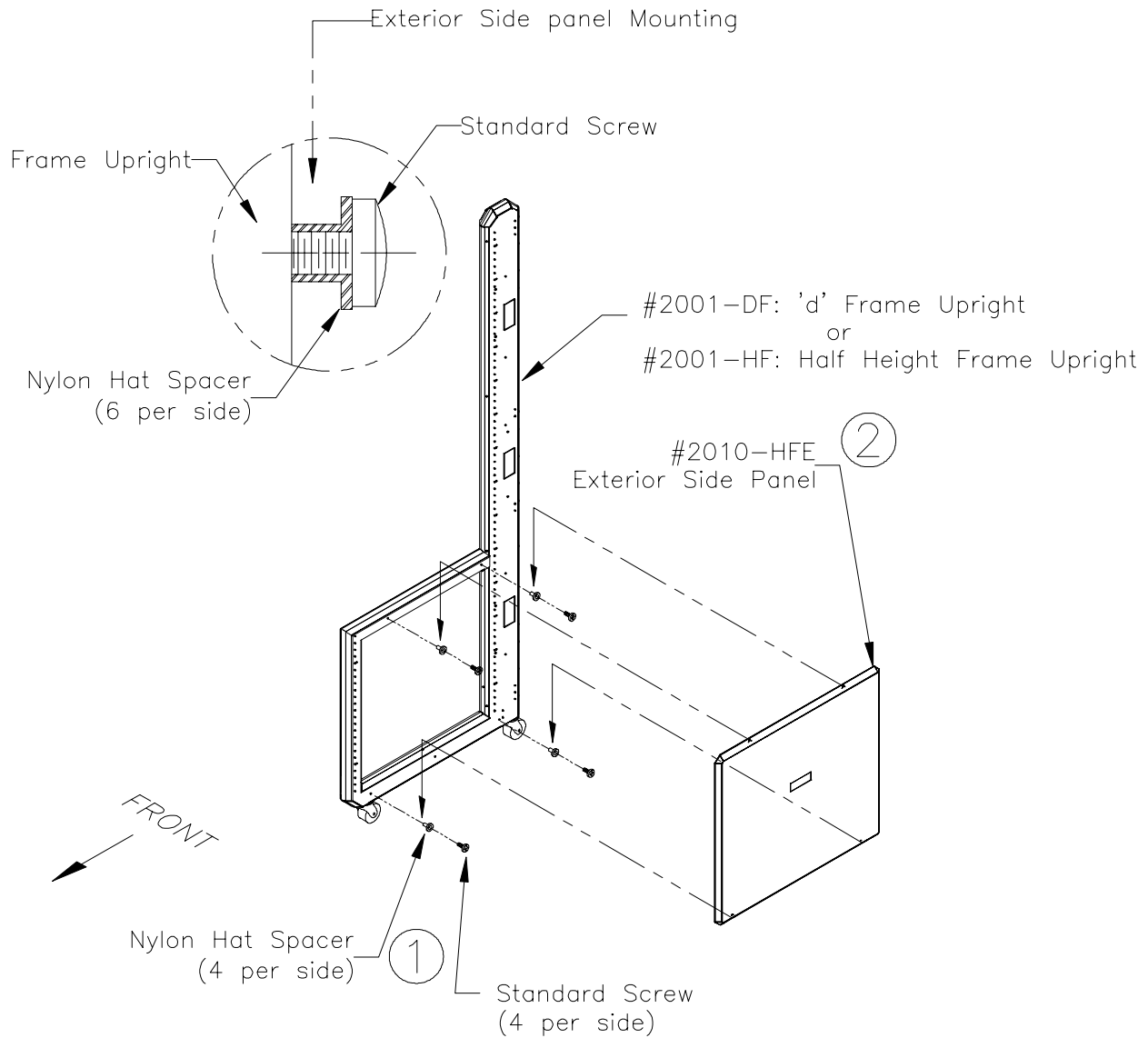
STEP (1): Install 6 screws with the nylon hat spacers provided at the locations shown on the outside edge of the frame uprights, (see sketch below). **DO NOT INSTALL SIDE PANEL SCREWS WITH A POWER SCREWDRIVER!! INSTALL SCREWS WITH HAND SCREWDRIVER UNTIL SPACERS CONTACT FRAME ONLY!! DO NOT CRUSH SPACERS BY OVERTIGHTENING!!** Remove the cable throughway grommet covers on the frame upright on the same side that the exterior side panel is being mounted.

STEP (2) - Locking Option only: Remove the lock nut from the lock assembly then insert the lock assembly through the side panel lock hole. Slide the lock nut over the locking pawl and tighten against the inside of the side panel. When installing the lock assembly be sure that the locking pawl will be able to turn 90 degrees up from the horizontal (unlocked) position. (locked position shown)

Warning: Do not remove the key from the locking barrel if or when the locking pawl is removed!

STEP(3): Position the Full Height Exterior Side Panel (#2010-FFE or #2010-FFEL) to slide down over the previously installed nylon spacer and screws. The side panel will slide down between the outside edge of the frame upright and the inside edge of the nylon spacer. (see detail)





Mounting Exterior Panel to Uprights - Half Height Exterior Panel #2010-HFE :

STEP (1): Install 4 screws with the nylon spacers provided at the locations shown on the outside edge of the frame upright. (see sketch above). Remove the bottom cable throughway grommet cover on the frame upright on the same side that the exterior side panel is to be mounted.

STEP (2): Position the Half Height Exterior Side Panel to slide down over the previously installed nylon spacer and screws. The side panel will slide down between the outside edge of the frame upright and the inside edge of the nylon spacer. (see detail)