

Installation Instructions :

#2535-KBA : Articulating Sliding Keyboard

#2535-KBAM : Articulating Sliding Keyboard w/ Sliding Mouse pad

Mounting track to shelf surface : Remove End Plate from track by removing the two black screws (as shown). Remove track from Arm Assembly. Mount the track to the underside of the Tilt, Cantilevered, or Countertop shelf surfaces, where desired, using four (# 12-24 standard) screws (provided) into the threaded holes marked 'A' and using the holes shown in the track. Slide the Arm Assembly into the front of the mounted track and in the storing position. Mount plastic End Plate into front of track (as shown) & secure with the two black self tapping screws that were originally removed.

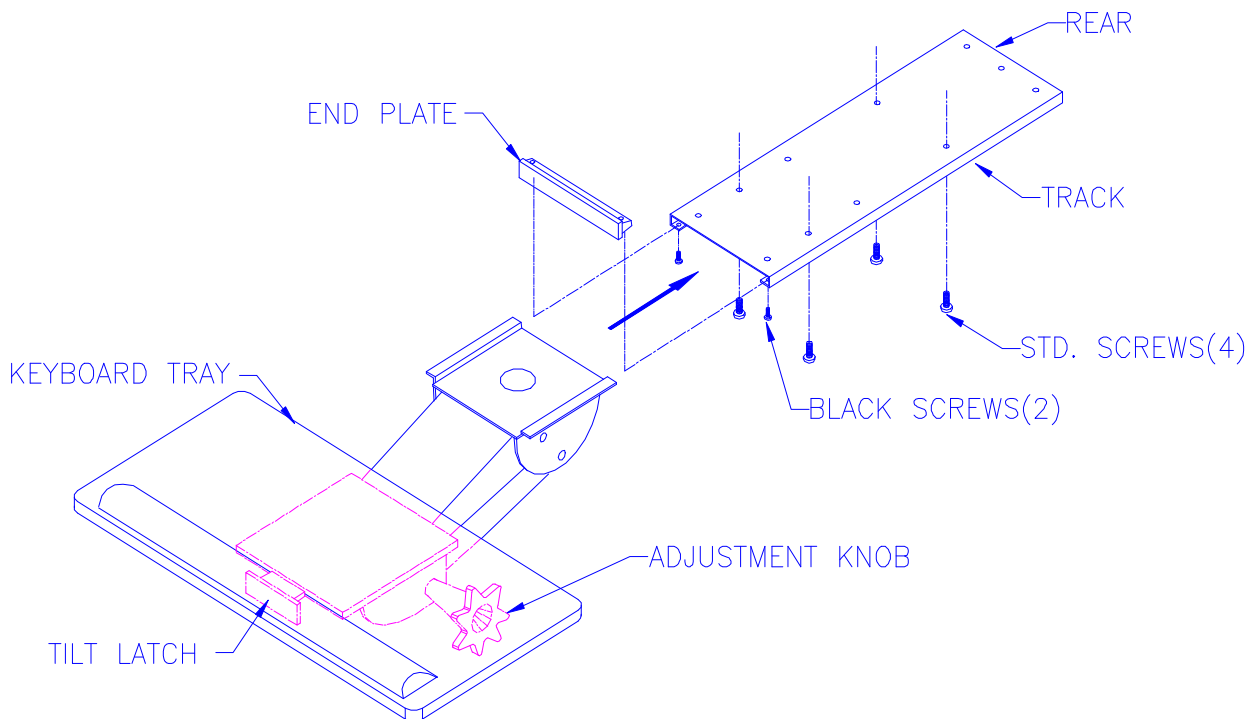
Operation : Pull tray out to desired position and loosen adjustment knob.

Raise or lower tray to desired position and re-tighten knob.

Pull out latch under tray and hold to adjust tray tilt to desired position and release.

Sliding Mouse Pad option (not shown): push mouse tray in from opposite side desired & pull out tray to extended position.

Repeat previous steps to store keyboard under shelf surface.



ASSEMBLY ARM