

# **ADVANTAGE - 2000 +**

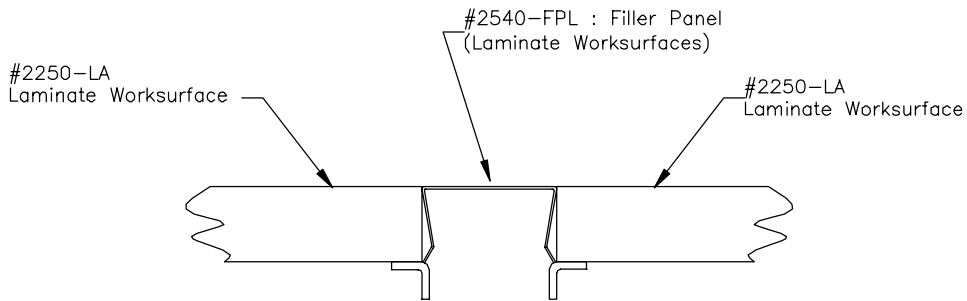
## **Installation Instructions :**

**#2540-FPL : Filler Panel - laminate Worksurface**

*After the Four Point Laminate Worksurfaces have been mounted using full frames the Filler Panel will continue the shelf surface through the center of the Full Frames.*

**Installation:** *Depress the four spring tabs on the Filler Panel and insert it as shown into the gap between the two Worksurfaces until it sits level with the Worksurfaces.*

**See Sketch**



Cross Section View

