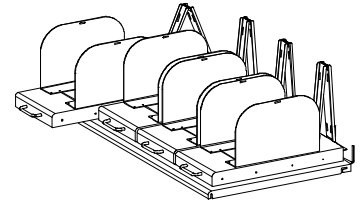


ADVANTAGE - 2000 +



Installation Instructions :

Single Tower Sliding Shelves w/ Cable Mgt. :

#2226-TS, #2226-TS1, #2226-TS2

#2250-TS1, #2250-TS2, #2250-TS3, #2250-TS4

#2272-TS1, #2272-TS2, #2272-TS3, #2272-TS4, #2272-TS5, #2272-TS6

PARTS LIST

<u>ITEM NO.</u>	<u>COMPONENT DESCRIPTION</u>	<u>QTY.</u>
------------------------	-------------------------------------	--------------------

<u>Shelf Part Number : #2226-TS - Slide Tray Assembly</u>		
--	--	--

1	#2200-6109 : Slide Tray w/ handle	1
---	-----------------------------------	---

11.375" width x 23.50" depth.

2	#2200-6108 : Slide Mounting Bracket	1
---	-------------------------------------	---

3	#2200-6105 : Cable Bridge	1
---	---------------------------	---

4	#2200-6106 : Server Support Fins	2
---	----------------------------------	---

5	#CM-36 : Velcro Strap	1
---	-----------------------	---

<u>Shelf Part Number : #2226-TS1 - Weight Capacity: 145 lbs./Tray</u>		
--	--	--

1	#2226-TS : Sliding Tray Assembly	1
---	----------------------------------	---

2	#2226-TS-6101 : Shelf Base	1
---	----------------------------	---

3	#2226-TS-6102 : Cable Trough	1
---	------------------------------	---

<u>Shelf Part Number : #2226-TS2 - Weight Capacity: 145 lbs./Tray</u>		
--	--	--

1	#2226-TS : Sliding Tray Assembly	2
---	----------------------------------	---

2	#2226-TS-6101 : Shelf Base	1
---	----------------------------	---

3	#2226-TS-6102 : Cable Trough	1
---	------------------------------	---

<u>Shelf Part Number : #2250-TS1 - Weight Capacity: 145 lbs./Tray</u>		
--	--	--

1	#2226-TS : Sliding Tray Assembly	1
---	----------------------------------	---

2	#2250-TS-6101 : Shelf Base	1
---	----------------------------	---

3	#2250-TS-6102 : Cable Trough	1
---	------------------------------	---

<u>Shelf Part Number : #2250-TS2 - Weight Capacity: 145 lbs./Tray</u>		
--	--	--

1	#2226-TS : Sliding Tray Assembly	2
---	----------------------------------	---

2	#2250-TS-6101 : Shelf Base	1
---	----------------------------	---

3	#2250-TS-6102 : Cable Trough	1
---	------------------------------	---

<u>Shelf Part Number : #2250-TS3 - Weight Capacity: 145 lbs./Tray</u>		
--	--	--

1	#2226-TS : Sliding Tray Assembly	3
---	----------------------------------	---

2	#2250-TS-6101 : Shelf Base	1
---	----------------------------	---

3	#2250-TS-6102 : Cable Trough	1
---	------------------------------	---

<u>Shelf Part Number : #2250-TS4 - Weight Capacity: 120 lbs./Tray</u>		
--	--	--

1	#2226-TS : Sliding Tray Assembly	4
---	----------------------------------	---

2	#2250-TS-6101 : Shelf Base	1
---	----------------------------	---

3	#2250-TS-6102 : Cable Trough	1
---	------------------------------	---

<u>ITEM NO.</u>	<u>COMPONENT DESCRIPTION</u>	<u>QTY</u>
<u>Shelf Part Number : #2272-TS1 - Weight Capacity: 145 lbs./Tray</u>		
1	#2226-TS : Sliding Tray Assembly	1
2	#2272-TS-6101 : Shelf Base	1
3	#2272-TS-6102 : Cable Trough	1
<u>Shelf Part Number : #2272-TS2 - Weight Capacity: 145 lbs./Tray</u>		
1	#2226-TS : Sliding Tray Assembly	2
2	#2272-TS-6101 : Shelf Base	1
3	#2272-TS-6102 : Cable Trough	1
<u>Shelf Part Number : #2272-TS3 - Weight Capacity: 135 lbs./Tray</u>		
1	#2226-TS : Sliding Tray Assembly	3
2	#2272-TS-6101 : Shelf Base	1
3	#2272-TS-6102 : Cable Trough	1
<u>Shelf Part Number : #2272-TS4 - Weight Capacity: 95 lbs./Tray</u>		
1	#2226-TS : Sliding Tray Assembly	4
2	#2272-TS-6101 : Shelf Base	1
3	#2272-TS-6102 : Cable Trough	1
<u>Shelf Part Number : #2272-TS5 - Weight Capacity: 70 lbs./Tray</u>		
1	#2226-TS : Sliding Tray Assembly	5
2	#2272-TS-6101 : Shelf Base	1
3	#2272-TS-6102 : Cable Trough	1
<u>Shelf Part Number : #2272-TS6 - Weight Capacity: 55 lbs./Tray</u>		
1	#2226-TS : Sliding Tray Assembly	6
2	#2272-TS-6101 : Shelf Base	1
3	#2272-TS-6102 : Cable Trough	1

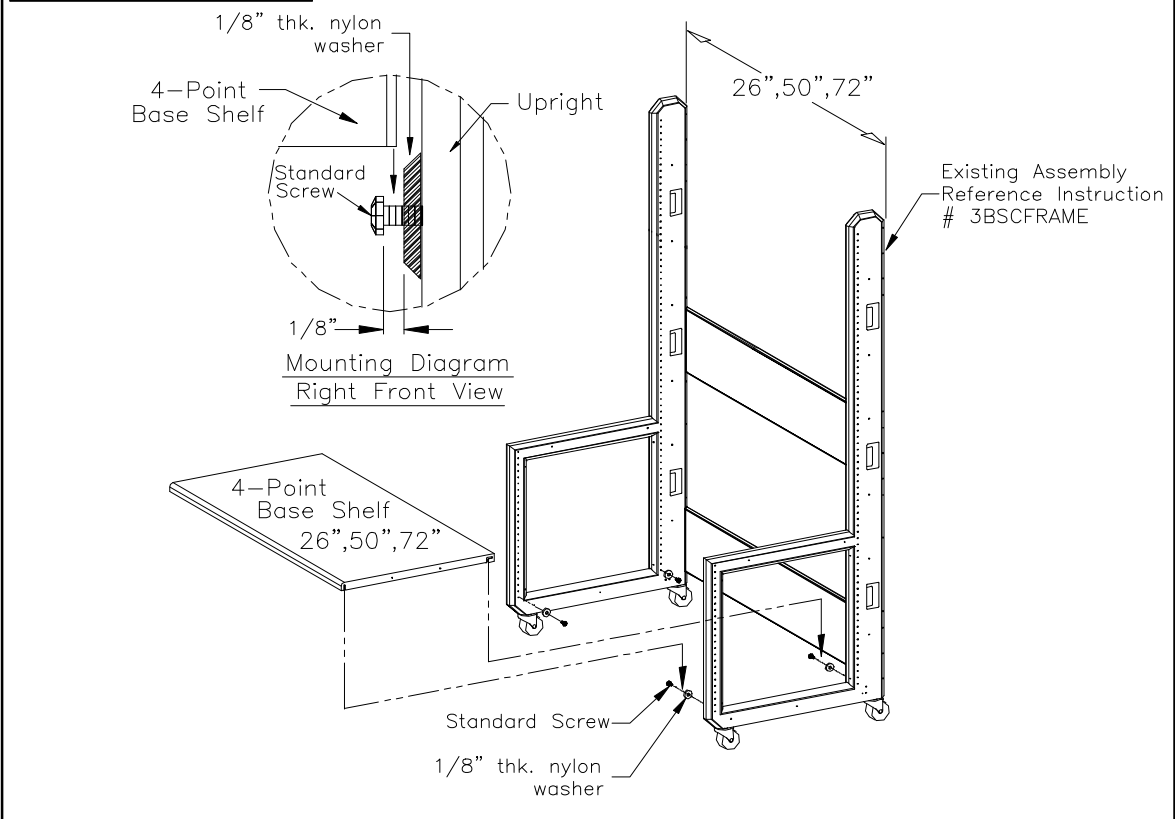
STEP (1): Mounting Base Shelf to Frame Uprights:

With the Braces and Covers Mounted to the Frame Uprights, the Uprights will be standing on their own at this point, Install a Standard Screw (#12-24x 1/2"lg. Phillips head) with an 1/8" thick nylon spacer, as shown, into the bottom most threaded hole in the vertical rows on the Frame Uprights. Leave approx. 1/8" of threads exposed from the nylon spacers.

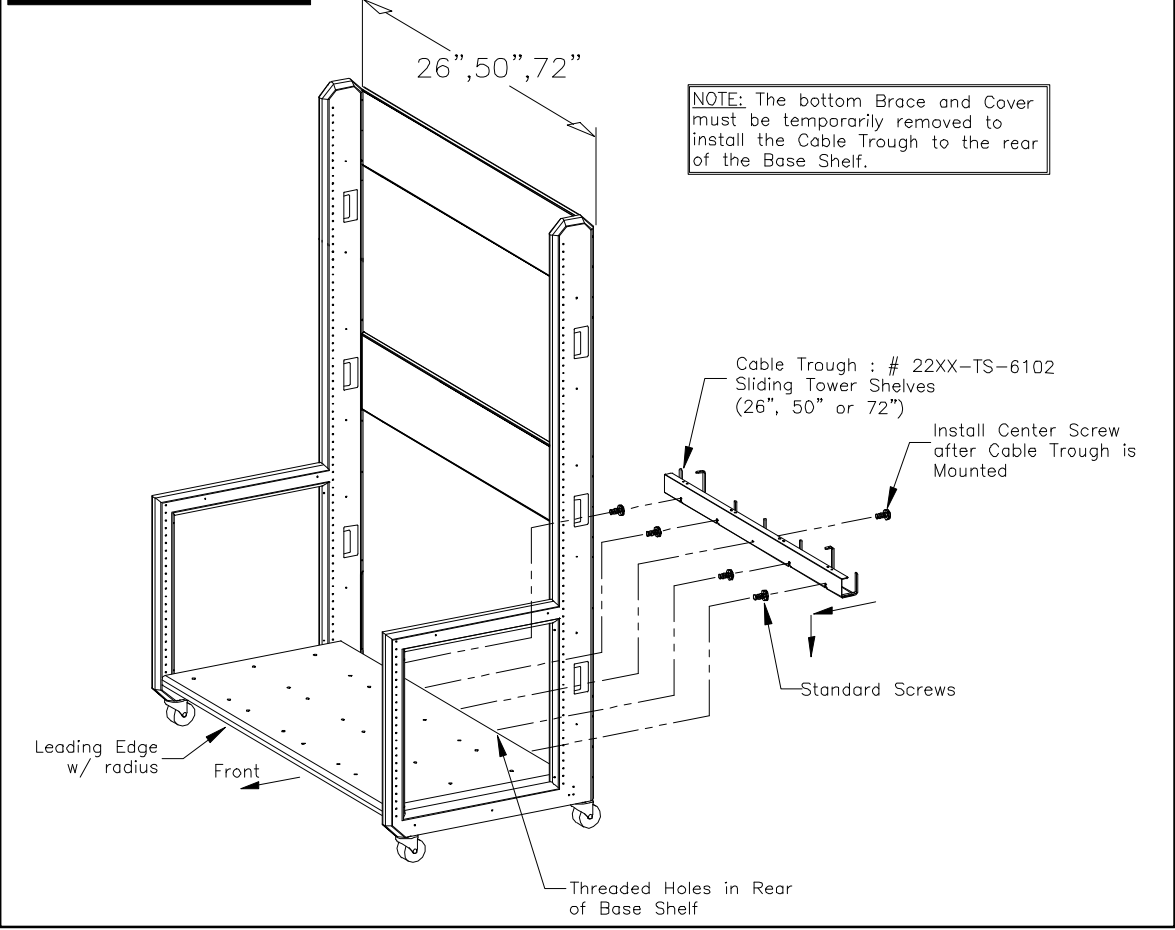
Position the side slots that are in the Shelf Base between the screw heads and the nylon spacers. Some width position adjustments might be needed in the Frame Uprights. Once the Shelf Base is seated firmly TIGHTEN all four screws at this point!

REFER TO SKETCH-1 ON FOLLOWING PAGE for STEP (1).

SKETCH - 1 : STEP (1)



SKETCH - 2 : STEP (2)



STEP (2): Mounting Cable Trough to Base Shelf:

To gain access to the rear of the Base Shelf the bottom Brace and Cover must be removed. Install standard screws into the threaded holes in the rear edge of the Base Shelf, leaving approx. 1/8" of threads exposed.

26" wide Base Shelf receives two (2) screws.

50" wide Base Shelf receives four (4) screws excluding center location

72" wide Base Shelf receives four (4) screws at every other hole location.

Position the Cable Trough of the same nominal width as the Base Shelf onto the screws in the rear of the shelf. Slide the slots down, in the Cable Trough, over the screw heads until firmly seated.

Install standard screws into the remaining through holes to lock the Cable trough into place.

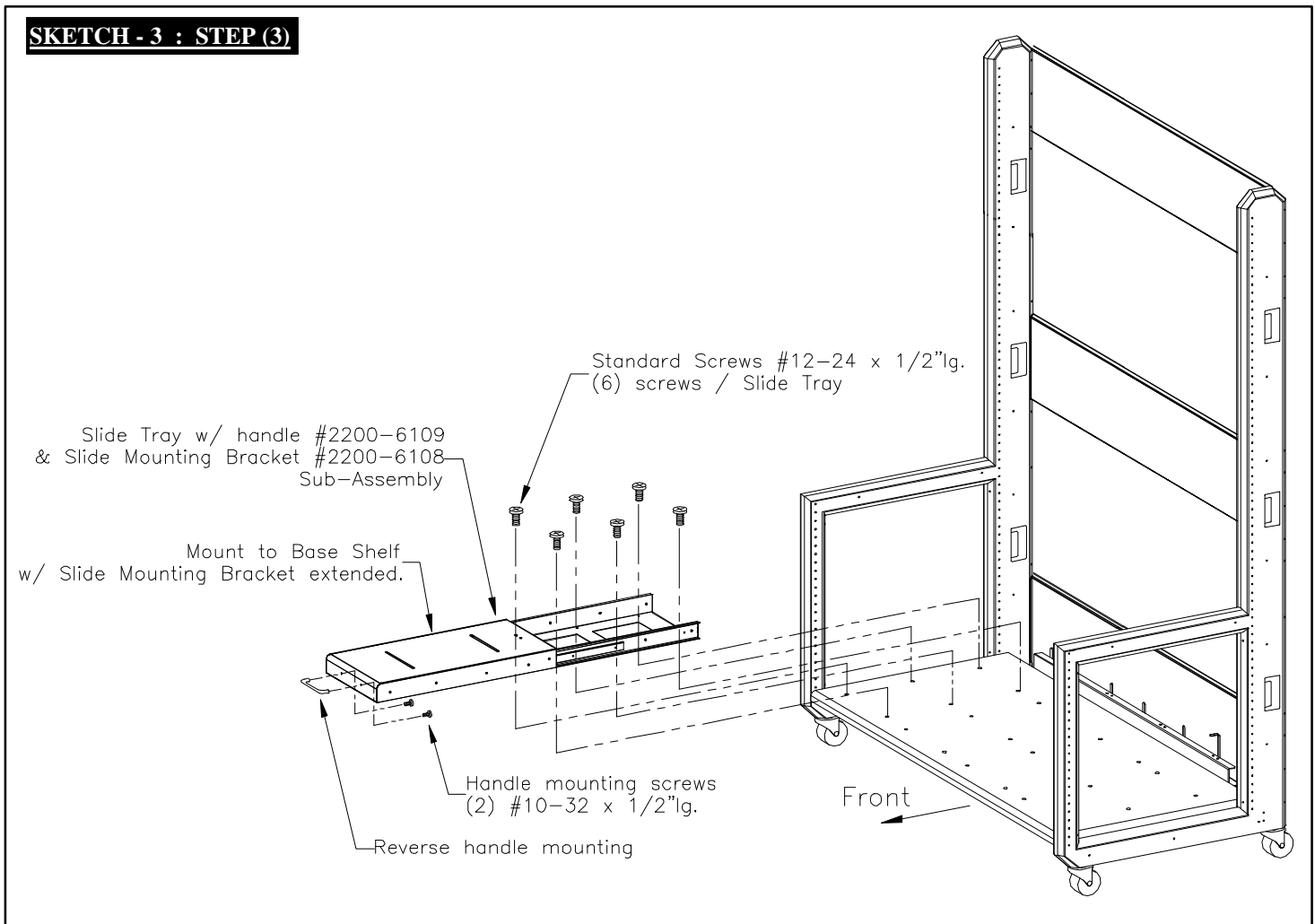
Now TIGHTEN all screws at this time.

REFER TO SKETCH-2 ON PREVIOUS PAGE for STEP (2).

STEP (3): Mounting Slide Tray Sub-Assembly to Base Shelf:

Reverse the handle mounting on the Slide Tray by removing the (2) two screws that it is mounted with and install the handle on the outside of the tray using the same screws and after extending the Slide Mounting Bracket.

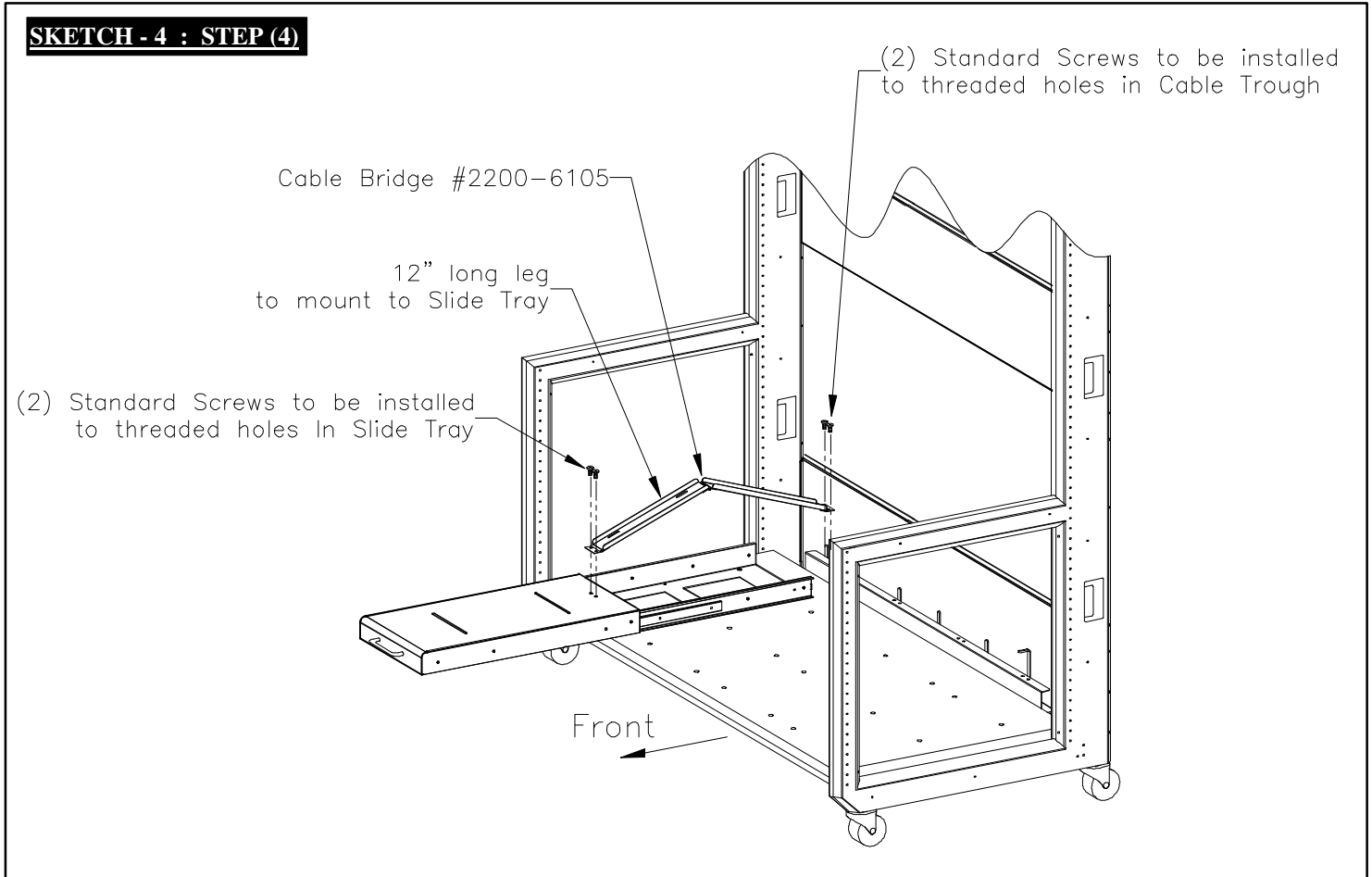
Install the Slide Tray Sub-Assembly to the Base Shelf with the Slide Mounting Bracket fully extended. Align the (6) six through holes in the bracket with the threaded holes in the Base Shelf and install (6) six Standard Screws to secure into place. Repeat **STEP(3)** for each Slide Tray Sub-Assembly. **REFER TO SKETCH-3 BELOW for STEP (3).**



STEP (4): Mounting Cable Bridge # 2200-6105:

*Extend the Slide Tray prior to mounting the Cable Bridge for ease of assembly. Install the short leg (12") of the Cable Bridge to the two (2) threaded holes in the rear of the top surface of the Slide Tray using two (2) Standard Screws (#12-24 x 1/2"lg.). Install the long leg (13") of the Cable Bridge to the two (2) threaded holes in the top surface of the Cable Trough using two (2) Standard Screws. **TIGHTEN** all four screws.*

REFER TO SKETCH-4 BELOW for STEP (4)



STEP (5): Mounting Server Support Fins # 2200-6106:

Remove the two (2) wingnuts from the threaded studs on each support fin. Align the threaded studs of the Server Support Fins with the two (2) slots in the Slide Tray. Once the equipment is loaded adjust the support fins to be against the sides of the equipment and then install two (2) wingnuts (#10-32 threads) onto the threaded studs of each support fin and tighten to secure.

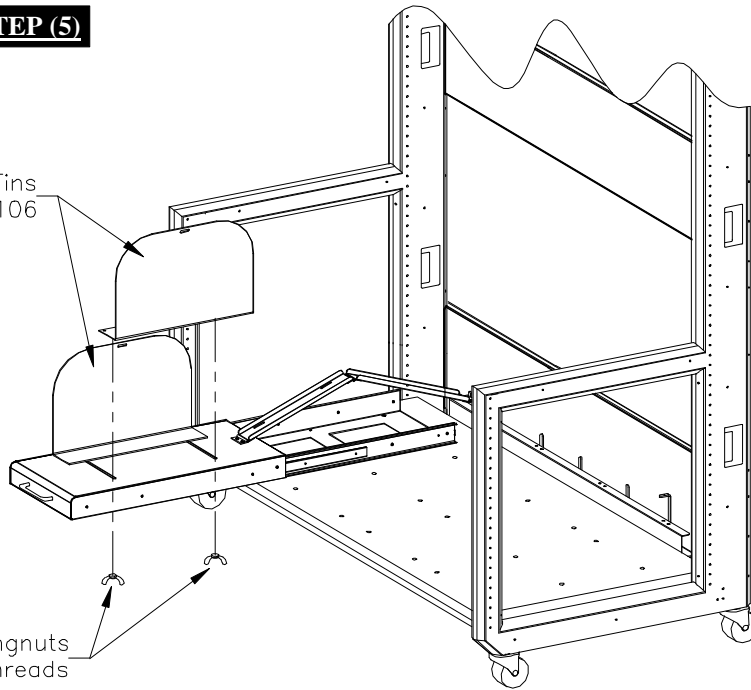
Place the Velcro Strap (# CM-36) over the top of the equipment and pass through the slot in each of the Server Support Fin. Fold the Velcro Strap back onto itself to secure.

REFER TO SKETCH-5 & 6 ON THE FOLLOWING PAGE for STEP(5)

SKETCH - 5 : STEP (5)

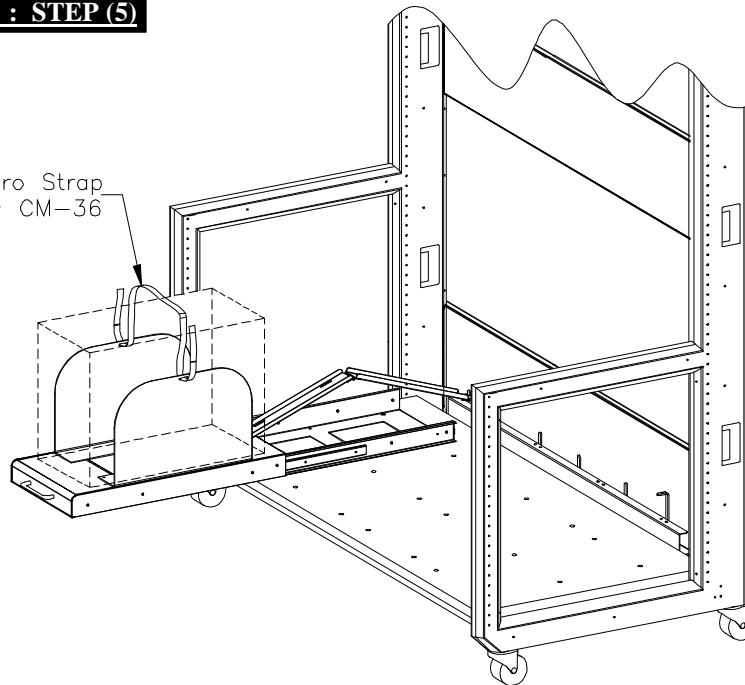
Server Support Fins
#2200-6106

Wingnuts
#10-32 Threads



SKETCH - 6 : STEP (5)

Velcro Strap
CM-36



TIGHTEN ALL SCREWS BEFORE LOADING WITH EQUIPMENT.

DO NOT exceed the recommended weight rating for each Slide Tray and Base Shelf or equipment damage or personal injury may occur!