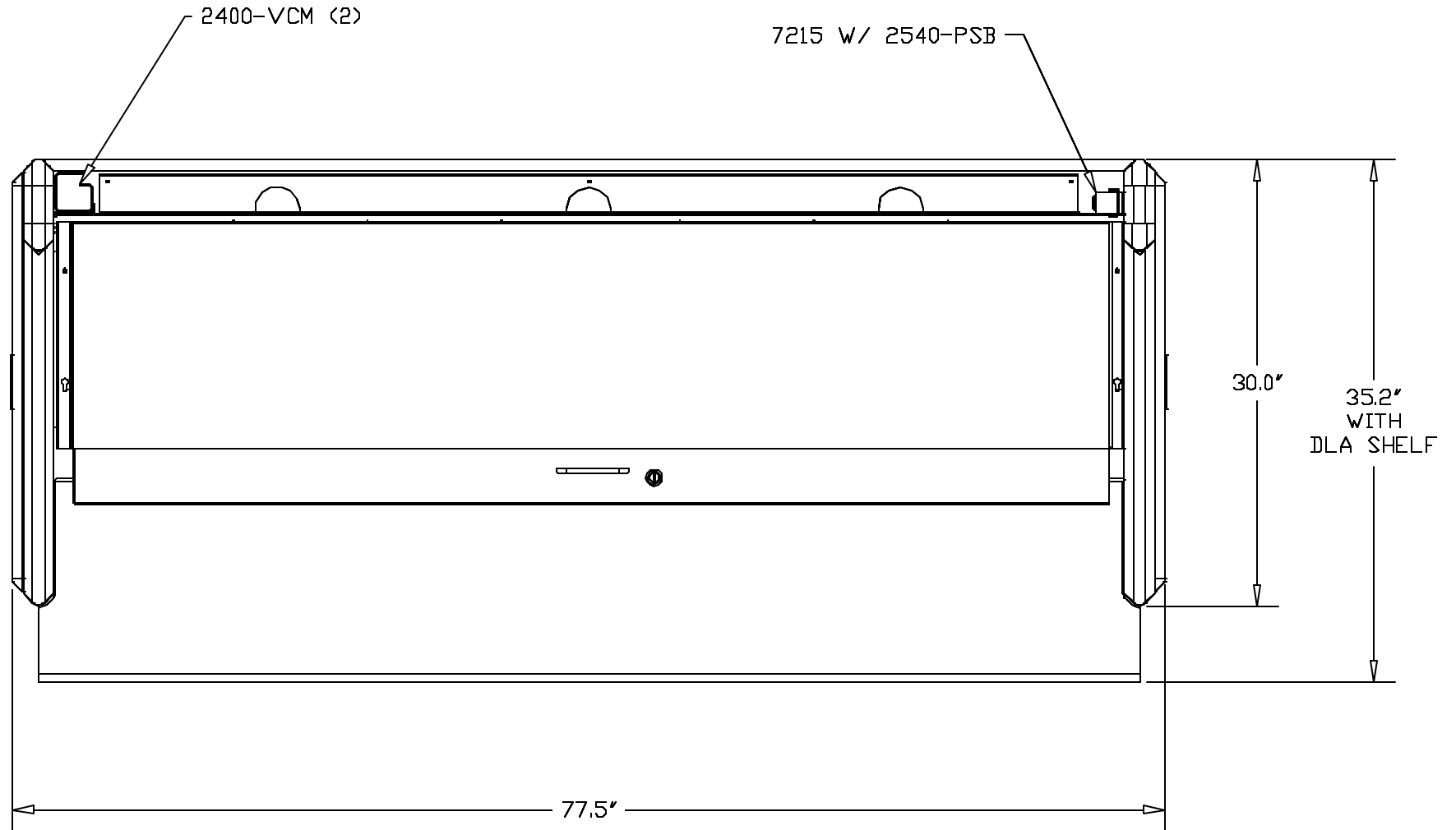


# FOR REFERENCE ONLY

REV DESCRIPTION

## TOP VIEW



This document contains Great Lakes Case & Cabinet/  
Proprietary Information  
and may not be reproduced, disclosed, or utilized in  
whole or in part without the prior written authorization.  
Unpublished - All rights reserved under copyright.

DIMENSIONS IN INCHES DO NOT SCALE  
TOLERANCES ON DIMENSIONS UNLESS OTHERWISE SPECIFIED  
DECIMAL .XXX ± .010 .XX ± .015 .X ± .020 ANGULAR ± 1/2°  
FILE LOCATION: F:\1-DWG\1-ARCH\60LD CONFIG\C12\72'EX\BK-B.dwg

DESIGN CHG#  
QTY PER UNIT:  
SCALE: N.T.S.  
MATERIAL:

DRAWN BY: KATIE  
DATE: 1-31-00  
CUSTOMER#  
SHEET: 5 OF 6

REV. DATE: 7-17-00  
PART DESCRIPTION:  
ADVANTAGE 2000+  
OPEN ARCHITECTURE  
WORK STATION



Great Lakes Case & Cabinet Co.  
P.O. Box 551 / Edinboro, PA 16412  
PHONE: 814-774-7800 FAX: 814-774-3807 EMAIL: sales@glcase.com  
REV. 1 DRAWING NO. GL2072-C12EX