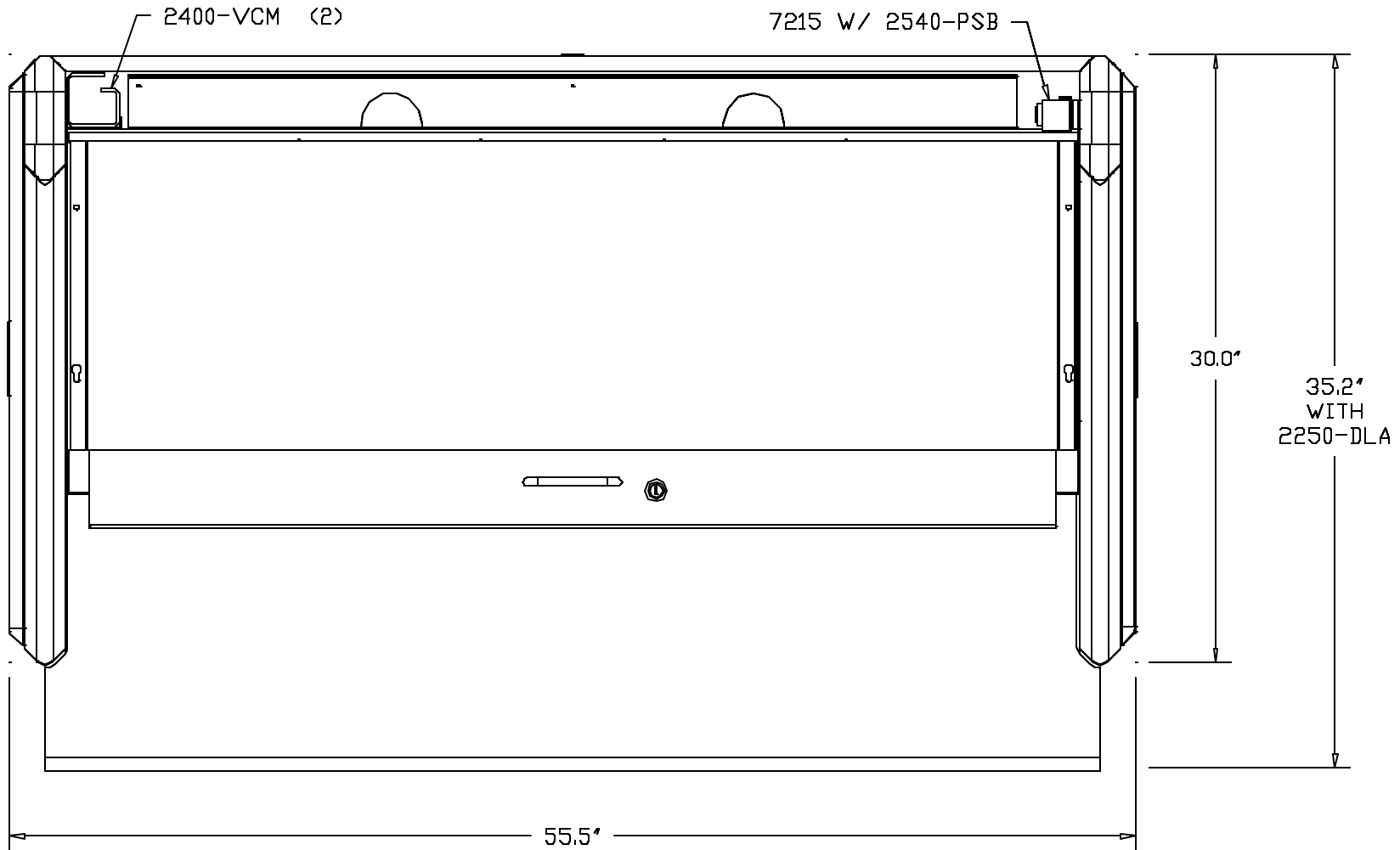


FOR REFERENCE ONLY

REV	DESCRIPTION
-----	-------------

TOP VIEW



This document contains Great Lakes Case & Cabinet/ Proprietary Information and may not be reproduced, disclosed, or utilized in whole or in part without its prior written authorization. Unpublished - All rights reserved under copyright.

DIMENSIONS IN INCHES **DO NOT SCALE**
 TOLERANCES ON DIMENSIONS UNLESS OTHERWISE SPECIFIED:
 DECIMAL .XX ± .010 .XX ± .015 X ± .020 ANGLAR ± 1/2°
 FILE LOCATION: E:\1-DWG\1-ARCH\BOLD CONFIG\C12\60"EX\BK-6.dwg

DESIGN CHG#
 QTY PER UNIT
 SCALE: N.T.S.
 MATERIAL:

DRAWN BY: KATIE
 ISSUE DATE: 5-9-00
 FINISH
 SHEET: 5 OF 6

REV. DATE: 7-13-00
 PART DESCRIPTION:
 ADVANTAGE 2000+
 OPEN ARCHITECTURE
 WORK STATION



Great Lakes Case & Cabinet Co.
 P.O. Box 551 / Edinboro, PA 16412
 PHONE: 814-694-7900 FAX: 814-694-9977 EMAIL: sales@greatlakescase.com
 REV: 1 DRAWING NO.: GL2050-C12EX