

This document contains Great Lakes Case & Cabinet/
 Proprietary Information
 and may not be reproduced, disclosed, or utilized in
 whole or in part without its prior written authorization.
 Unpublished - All rights reserved under copyright.

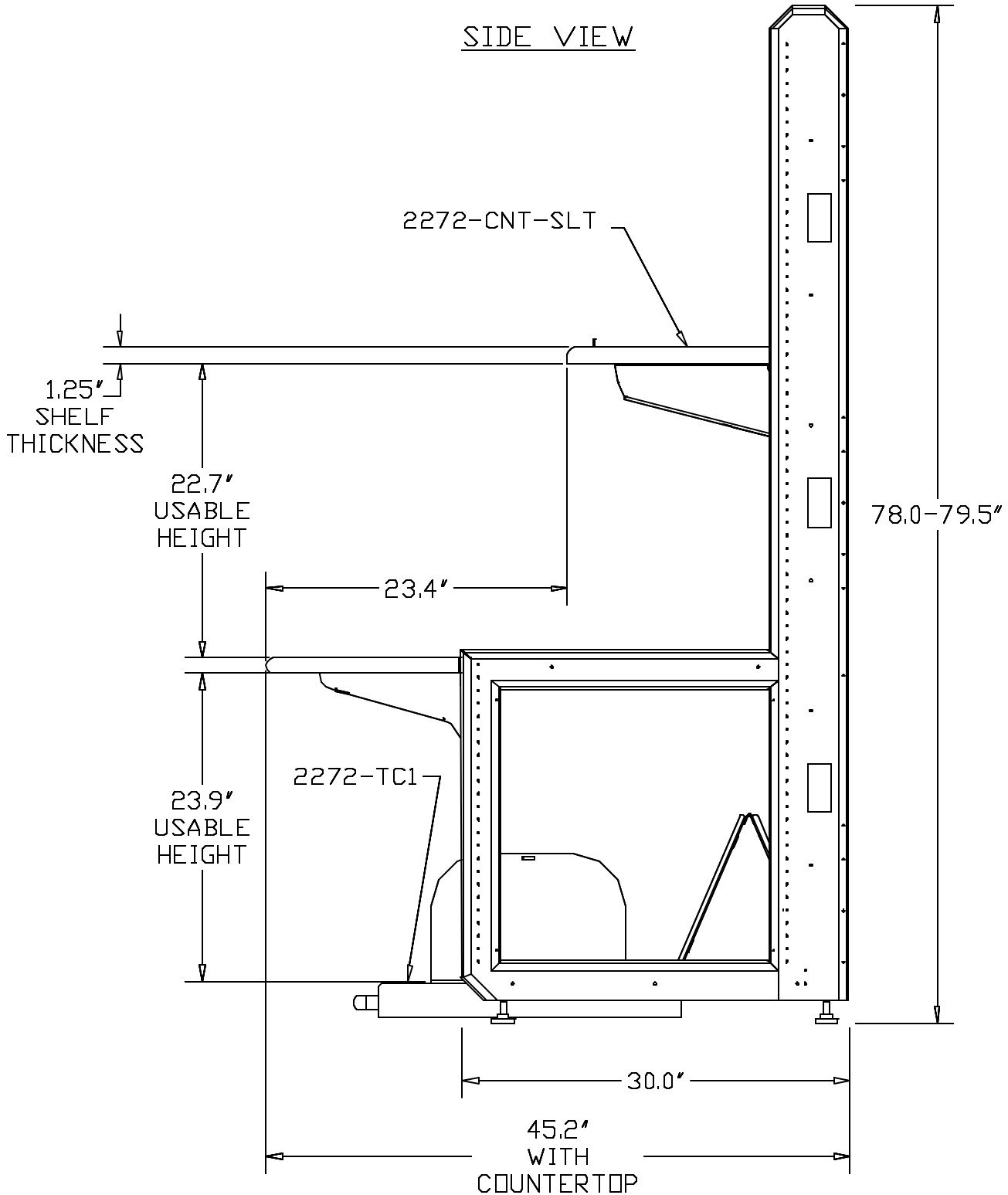
FOR REFERENCE ONLY

FILE LOCATION: E:\1-DWG\1-ARCH\BOLID CONFID\CS3\WEB72\BK-2A.dwg

REV


DESCRIPTION

SIDE VIEW



NOTE:

- 1) SHELF HEIGHTS ARE VARIABLE IN 1" INCREMENTS.
- 2) 2272-CNT-SLT SHELF CAN BE ANGLED AT 15 DEGREES OR MOUNTED HORIZONTALLY.
- 3) THERE IS 23.4" OF USABLE DEPTH FROM THE FRONT OF THE 2272-CT TO THE FRONT OF THE 2272-CNT-SLT.
- 4) THE HEIGHT OF THE CABINET WITH OPTIONAL CASTERS IS 80.8".

SCALE:	QTY PER UNIT:	DRAWN BY: MIKE	REV. DATE: 7-5-00	 Great Lakes Case & Cabinet Co. P.O. Box 351 / Edinboro, PA 16412 PHONE: (814) 724-7900 FAX: (814) 724-3827 EMAIL: glc@glcc.com
SCALE: N.T.S.	MATERIAL:	ISSUE DATE: 5-15-00	PART DESCRIPTIONS: ADVANTAGE 2000+ OPEN ARCHITECTURE WORK STATION	
TOLERANCES ON DIMENSIONS UNLESS OTHERWISE SPECIFIED: DECIMAL .00X ± .010 .XX ± .015 .X ± .020 ANGULAR ± 1/2° DIMENSIONS IN INCHES DO NOT SCALE.		DESIGN CHECK:	SHEET: 2A OF 6	REV: 1 DRAWING NO: GL2072-C03EX