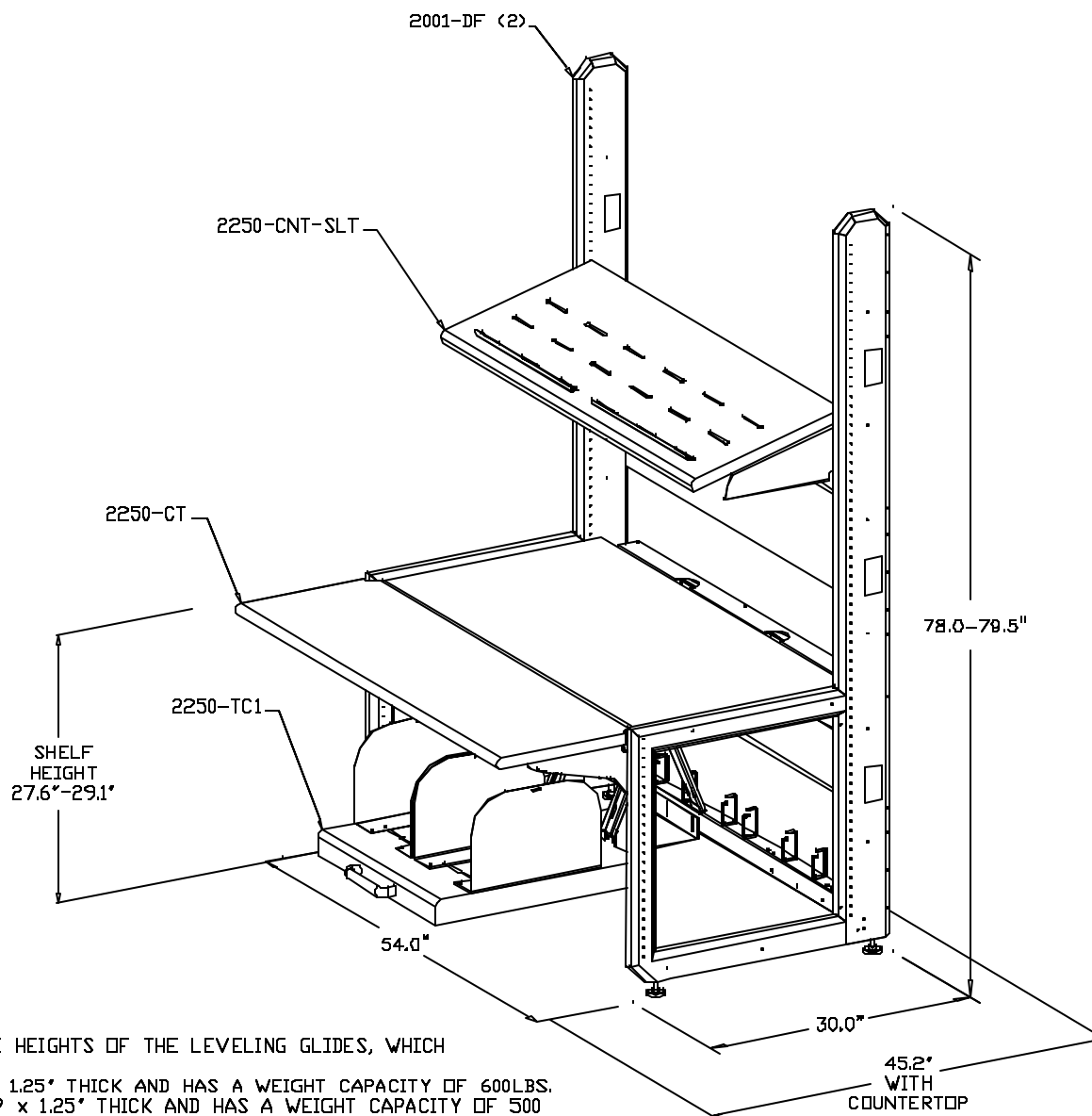


# FOR REFERENCE ONLY

REV	DESCRIPTION
-----	-------------



**NOTE:**

- 1) THE HEIGHTS SHOWN MAY VARY DEPENDING ON THE HEIGHTS OF THE LEVELING GLIDES, WHICH CAN VARY IN HEIGHT FROM 1" TO 2.5".
- 2) THE 2250 SHELF IS 49.75" WIDE x 25.50" DEEP x 1.25" THICK AND HAS A WEIGHT CAPACITY OF 600LBS.
- 3) THE 2250-CNT-SLT IS 49.875" WIDE x 18.00" DEEP x 1.25" THICK AND HAS A WEIGHT CAPACITY OF 500 LBS.
- 4) THE 2250-CT IS 52.00" WIDE x 16.00" DEEP x 1.25" THICK AND HAS A WEIGHT CAPACITY OF 300 LBS.
- 5) EACH 2250-TC1 SHELF IS 23.50" WIDE x 23.478" DEEP x 3.00" THICK AND HAS A WEIGHT CAPACITY OF 775 LBS./SHELF.
- 6) THE HEIGHT OF THE SECTION WITH OPTIONAL CASTERS IS 80.8".

This document contains Great Lakes Case & Cabinet/ Proprietary information and may not be reproduced, disclosed, or utilized in whole or in part without its prior written authorization. Unpublished - All rights reserved under copyright.

DIMENSIONS IN INCHES		DO NOT SCALE
TOLERANCES ON DIMENSIONS UNLESS OTHERWISE SPECIFIED		
DECIMAL .00X ± .010 .00X ± .015 .X ± .020 ANGULAR ± 1/2		
FILE LOCATION:	F:\1-DWG\21-ARCH\3D\10 CONF\2003\WEB60\SK-1.dwg	

DESIGN CHG#	
QTY PER UNIT:	
SCALE:	N.T.S.
MATERIAL:	

DRAWN BY:	MIKE
DATE:	5-9-00
CUSTOMER:	
SHEET:	1 OF 6

REV. DATE:	6-23-00
PART DESCRIPTION:	ADVANTAGE 2DOOR-OPEN ARCHITECTURE WORK STATION



Great Lakes Case & Cabinet Co.  
 P.O. Box 551 / Edinboro, PA 16412  
 PHONE: 814-724-7400 FAX: 814-724-3207 EMAIL: glcase@glcase.com

REV.	DRAWING NO.
1	GL2050-C03