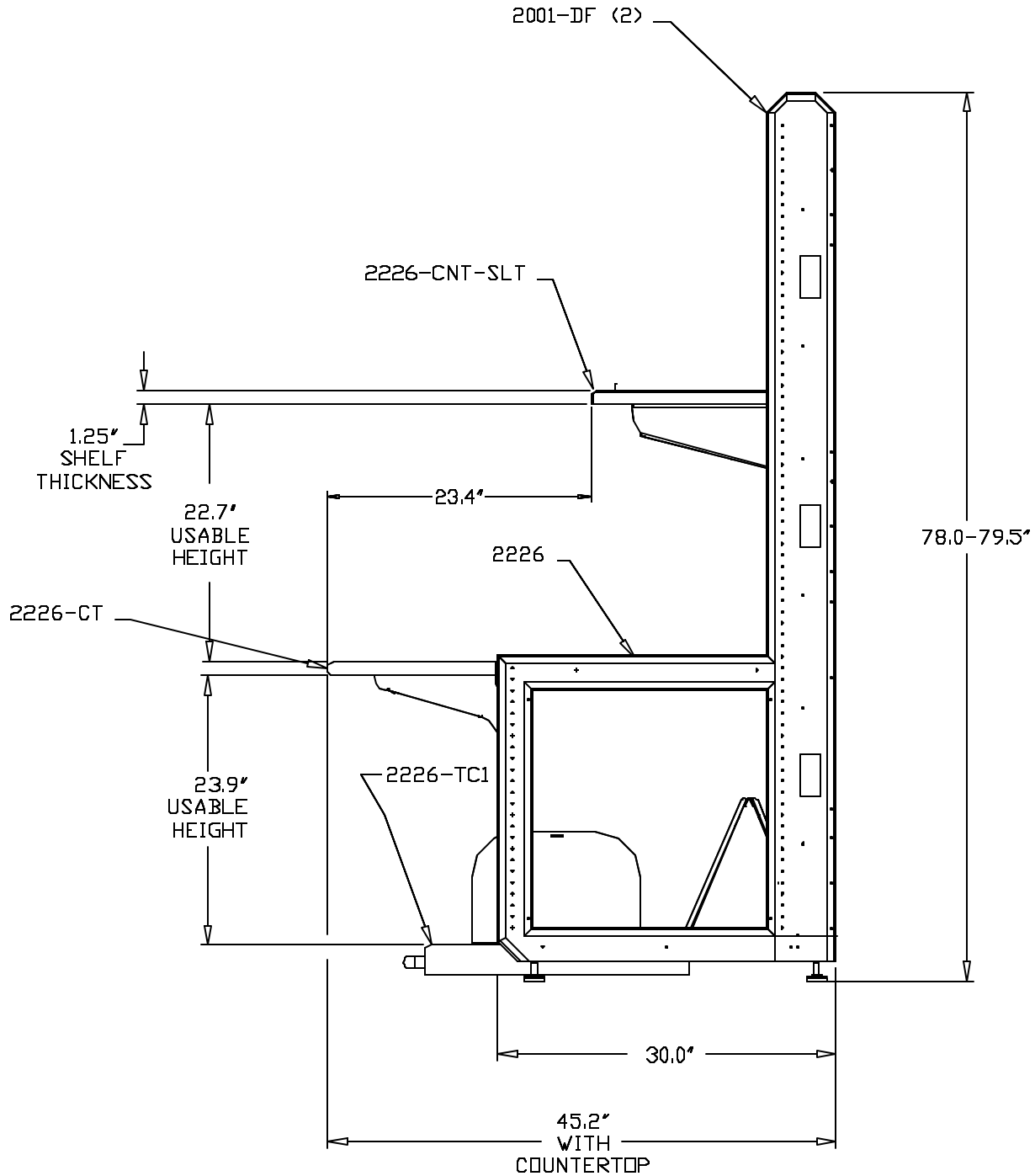



SIDE VIEW



NOTE:

- 1) SHELF HEIGHTS ARE VARIABLE IN 1" INCREMENTS.
- 2) THE 2226-CNT-SLT SHELF CAN BE ANGLED AT 15 DEGREES OR MOUNTED HORIZONTALLY.
- 3) THERE IS 23.4' OF USABLE DEPTH FROM THE FRONT OF THE 2226-CT TO THE FRONT OF THE 2226-CNT-SLT.
- 4) THE HEIGHT OF THE SECTION WITH OPTIONAL CASTERS IS 80.8'.

CUSTOMER#	QTY PER UNIT:	DRAWN BY: MIKE	REV. DATE: 6-22-00	 Great Lakes Case & Cabinet Co. P.O. Box 551 / Edinboro, PA 16412 PHONE: (814) 774-7266 FAX: (814) 774-3987 EMAIL: glcase@prodnet.com
SCALE: N.T.S.	MATERIAL:	ISSUE DATE: 5-9-00	PART DESCRIPTION: ADVANTAGE 2000+ OPEN ARCHITECTURE WORK STATION	
TOLERANCES ON DIMENSIONS UNLESS OTHERWISE SPECIFIED: DECIMAL .00X ± .010 .XX ± .015 .X ± .020 ANGULAR ± 1/2° DIMENSIONS IN INCHES DO NOT SCALE		DESIGN CHG#	SHEET: 2A OF 6	REV. 1 DRAWING NO. GL2026-CQ3EX